

Simpaty Line

CHERIE - FUNNY - MOON

SPACE - VINTAGE



I	Installazione, uso e manutenzione	p. 2
UK	Installation, use and maintenance	p. 33
F	Installation, usage et maintenance	p. 64
E	Instalación, uso y mantenimiento	p. 95
D	Installations-, Betriebs- und Wartungsanleitung	p. 126
NL	Installatie, gebruik en onderhoud	p. 157

Dear Sir/Madam

Congratulations and thank you for choosing our product.

Please read this document carefully before you use this product in order to obtain the best performance in complete safety.

For further details or assistance, please contact the DEALER where you purchased the product or visit our website www.edilkamin.com. and click on DEALERS.

NOTE

- After having unpacked the stove, ensure that its contents are complete and intact (covering, remote control with display, "cold hand" handle, guarantee booklet, glove, specifications, spatula, dehumidifying salt, allen wrench).

In case of anomalies please contact the dealer where you purchased the product immediately.

You will need to present a copy of the warranty booklet and valid proof of purchase.

- Commissioning/ testing

Commissioning and testing must be performed by the DEALER. Failure to do so will void the warranty.

Commissioning, as specified in standard UNI 10683 Rev. 2005 (section "3.2") consists in a series inspections to be performed with the insert installed in order to ascertain the correct operation of the system and its compliance to applicable regulations.

- Incorrect installation, incorrect maintenance, or improper use of the product, shall relieve the manufacturer from any damage resulting from the use of this product.

- the proof of purchase tag, necessary for identifying the insert, is located:

- on the top of the package

- in the warranty booklet found inside the firebox

- on the ID plate affixed to the back side of the unit;

This documentation must be saved for identification together with the valid proof of purchase receipt. The data contained therein must be reported when requesting information and made available should servicing be required;

- All images are for illustration purposes only; actual products may vary.

DECLARATION OF CONFORMITY

The undersigned EDILKAMIN S.p.a. with head office headquarters at Via Vincenzo Monti 47 - 20123 Milan - Italy - VAT IT00192220192

Declares under its own responsibility as follows:

The wood pellet stoves specified below is in accordance with the 89/106/EEC (Construction Products)

WOOD PELLET STOVES, trademark EDILKAMIN, called *CHERIE - FUNNY - MOON - SPACE - VINTAGE*

Year of manufacture:

Ref. Data nameplate

Serial number:

Ref. Data nameplate

The compliance with the 89/106/EEC directive is besides determined by the compliance with the European standard:
UNI EN 14785:2006

the wood pellet stove *CHERIE - FUNNY - MOON - SPACE - VINTAGE* is in compliance with the requirements of the European directives:
2006/95/EEC - Low voltage directive
2004/108/EEC - Electromagnetic compatibility directive

EDILKAMIN S.p.a. will decline all responsibility of malfunctioning or damage to the equipment in case of unauthorized substitution, assembly or modifications of any sort on the said equipment on the part of non-EDILKAMIN personnel.

PRINCIPLE OF OPERATION

CHERIE - FUNNY - MOON - SPACE - VINTAGE stoves heat the air using wood pellets as fuel, with electronically controlled combustion. Hereunder is the explanation of its functions (the letters refer to figure 1).

The fuel (pellets) is transferred from the storage hopper (A - see page 53) to the combustion chamber (D) by means of a feed screw (B), which is driven by a gear motor (C).

The pellets are ignited by the air that is heated by an electrical resistance (E) and drawn into the combustion chamber by a smoke extractor (F). The fumes produced during the combustion process are extracted from the hearth by the same centrifugal fan (F) and expelled through the outlet (G) located on the lower part at the back of the stove.

The stoves allow for hot air channelling to convey the air to heat adjacent rooms. Two male pipes of a Ø 10 cm for hot air channelling connection are found on the back part. To channel the hot air in one or two adjoining rooms, the stove is equipped with two pipes on the back, to which special aluminium pipes must be connected. KIT 10 and KIT 10 BIS optional are available to facilitate air distribution (see page 49-50-51).

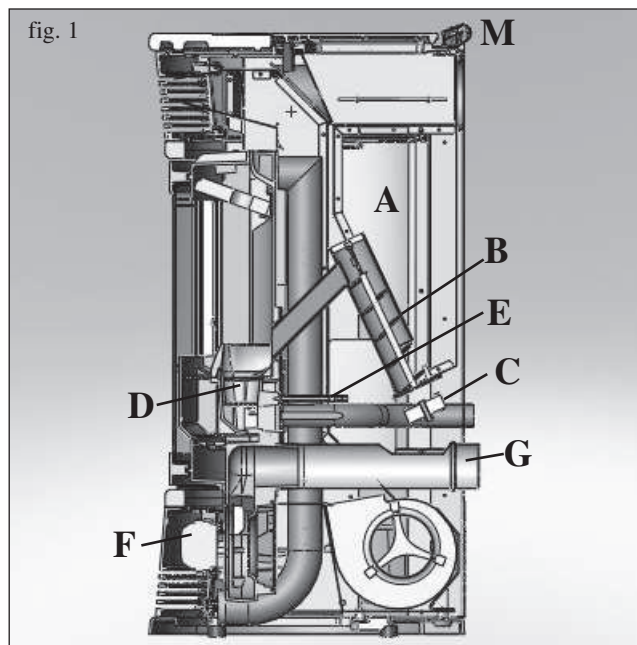
Fuel quantity, smoke extraction and combustion air supply are all controlled by an electronic control board, which is equipped with **Leonardo®** software to achieve high combustion efficiency and low emissions.

The synoptic panel (M) is installed on the top, through which all phases of operation can be displayed and controlled.

The main functions can also be controlled by remote control. A serial port is found at the back of the stove (optional cable: code 621240) to be connected to devices that allow remote ignition (e.g. remote telephone, local thermostat).

Door with curved, screen printed ceramic glass, kept clean automatically. Use the "cold hand" handle to open.

The stoves have an internal structure that is made entirely of cast iron.



SAFETY INFORMATION

Stoves are designed to heat the room where they are placed, by means of radiation and air movement that is let out from the front grilles, through automatic pellet combustion in the hearth, and adjoining rooms through air movement analysed by the pipes on the back.

- The only risks that may derive from using the stove pertain to non-compliance with installation instructions, direct contact with live electrical parts (internal), contact with the fire or hot parts (glass, pipes, hot air output), or foreign substances being put in the stove.
- Only use wood pellets as fuel.
- Should components fail, the stoves are equipped with safety devices that guarantee automatic shutdown. These are activated without any intervention required.
- In order to function correctly, the stove must be installed in accordance with the instructions given herein and the door must not be opened during operation: combustion is fully automatic and requires no intervention.
- Under no circumstances should any foreign substances be entered into the hearth or hopper.
- Do not use flammable products to clean the smoke channel (the flue section connecting the stove smoke outlet to the chimney flue).
- Hearth and hopper components must only be cleaned with a vacuum cleaner.
- The glass can be cleaned when COLD with a suitable product (e.g. GlassKamin Edilkamin) and a cloth.
- Do not clean when hot.
- Ensure that the stoves are installed and ignited by a qualified Edilkamin DEALER, in accordance with the instructions given herein.
- When the stove is in operation, the exhaust pipes and door become very hot (do not touch without wearing the thermal glove).
- Do not place anything, which is not heat resistant near the stove.
- NEVER use liquid fuel to ignite the stove or rekindle the embers.
- Do not obstruct the ventilation apertures in the room where the stove is installed, nor the air inlets of the stove itself.
- Do not wet the stove and do not go near electrical parts with wet hands.
- Do not use reducers on the smoke exhaust pipes.
- The stove must be installed in a room that is suitable for fire prevention and equipped with all that is required (power and air supply and outlets) for the stove to function correctly and safely.
- **Should ignition fail, DO NOT re-ignite until you have emptied the combustion chamber.**
- **ATTENTION: THE PELLET EMPTIED FROM THE COMBUSTION CHAMBER MUST NOT BE DEPOSITED INSIDE THE HOPPER.**

FEATURES

Remote control to manage ignition, shutdown, automatic and manual operation from a distance.



Multifunctional top with a synoptic panel to set the desired temperature and weekly times of ignition and shutdown.

Reserve warning that indicates when a whole sack of pellets can be loaded.

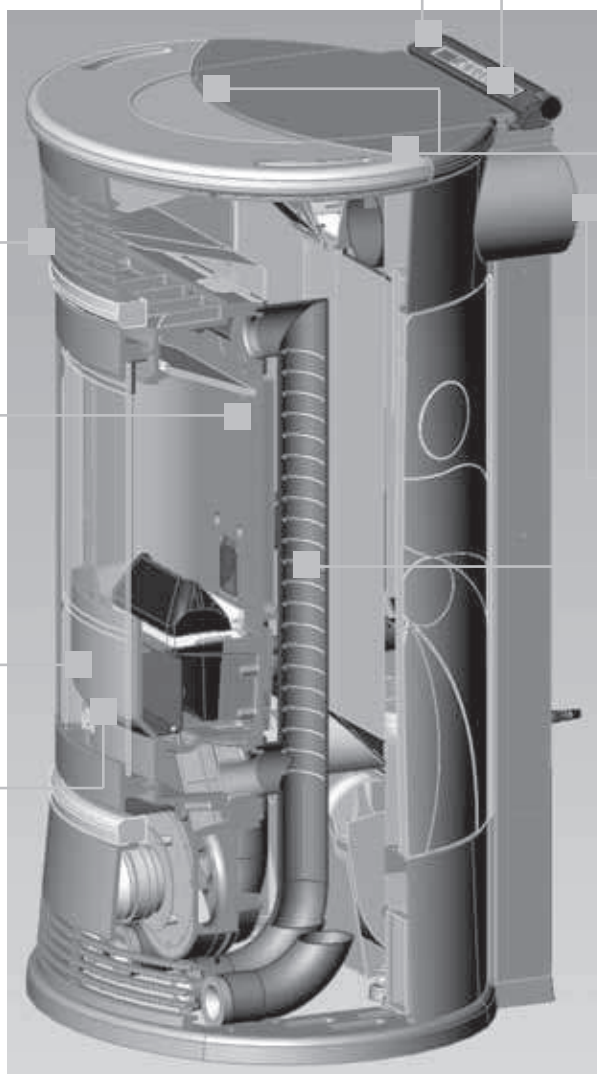
Front grille for warm air to be emitted into the room.

Fireplace structure made of cast iron for extraordinary solidity and exceptional thermal efficiency.

Door with curved, screen printed ceramic glass, kept clean automatically. Use the "cold hand" handle to open



Ash pan to facilitate cleaning the hearth.



Levers to manually adjust hot air diffusion, heating up to two adjacent rooms. (use special grappler)

Capacious pellet hopper for prolonged use that does not require frequent pellet refills, with pressure opening.

2 pipes for hot air channelling Ø 10 cm

Hot air exchangers Cleaning the heat exchangers is extremely easy thanks to these exchangers being accessed easily.

Powerful and silent fan for maximum comfort (800 m³/h)



"AUTO-CLEAN" system for a combustion chamber that is always clean.

EXTERNAL FINISHES

CHERIE

off-white ceramic sides, top and inserts
red ceramic sides, top and inserts
hazel ceramic sides, top and inserts

FUNNY

steel sides, grey ceramic top and inserts
steel sides, off-white ceramic top and inserts
steel sides, red ceramic top and inserts

MOON

soapstone sides, top and inserts

SPACE

sandstone sides, top and inserts

VINTAGE

spiced white ceramic sides, top and inserts
red ceramic sides, top and inserts

FEATURES

Pellet stoves are equipped with the LEONARDO® SYSTEM.

LEONARDO® is a combustion safety and control system which allows optimal performance in all conditions.

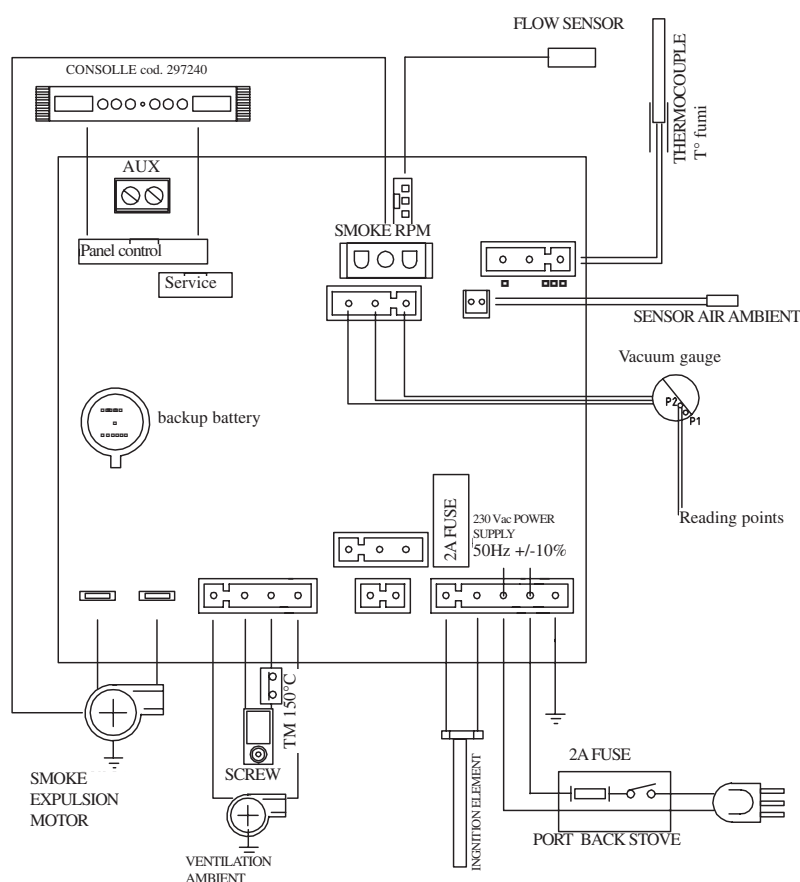


LEONARDO® ensures excellent operation thanks to two sensors measuring the pressure level in the combustion chamber and smoke temperature. The detection of and subsequent optimisation of these two parameters is continuous in order to correct operation anomalies in real time.

The LEONARDO® system offers constant combustion, automatically regulating the draft based on the characteristics of the chimney flue (bends, length, shape, diameter, etc..) and environmental conditions (wind, humidity, atmospheric pressure, installations at high altitude, etc.). The standards for installation must be respected.

LEONARDO® system is also able to recognise the type of pellets and automatically adjust the flow moment by moment to ensure the required level of combustion.

ELECTRONIC CIRCUIT BOARD



SERIAL PORT

The Dealer can install an optional on the AUX outlet for controlling the process of switching on and off (e.g. telephone remote, local thermostat), located at the rear of the stove. Can be connected via special optional trestle (code 621240).

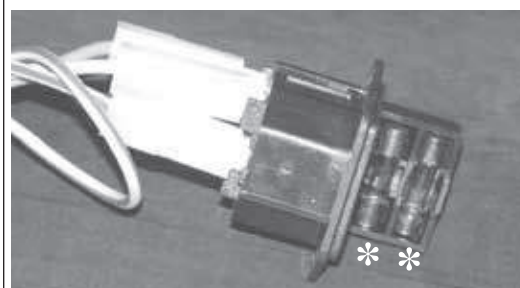
BACKUP BATTERY

A backup battery is found on the control board (3-Volt CR 2032 battery). Its malfunction is indicated with the following messages (not considered a defect but due to normal wear-and-tear): "Battery check".

For more detailed information, please contact the DEALER who has performed the first 1st ignition.

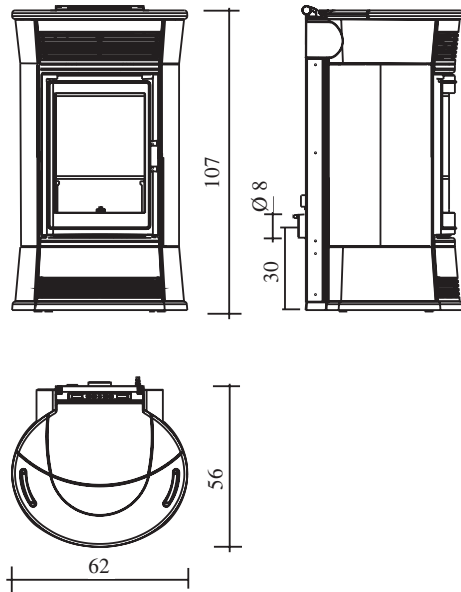
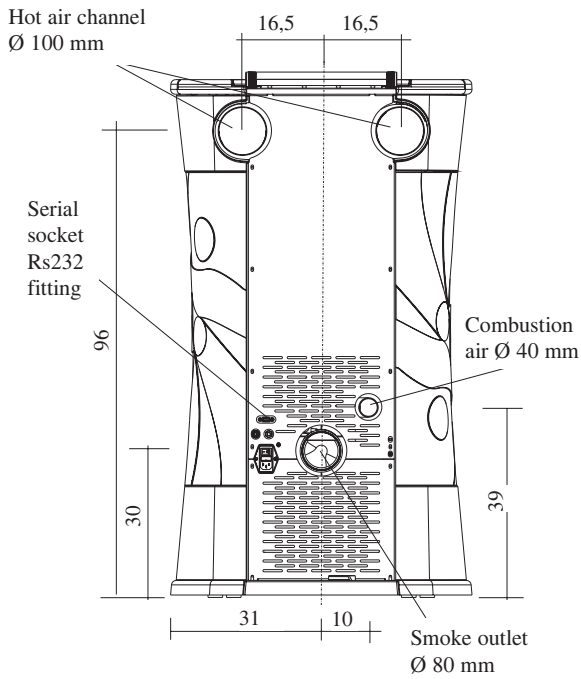
FUSE*

two fuses are inserted in the socket with switch, located on the back of the stove, one of which operational and the other is held in reserve.

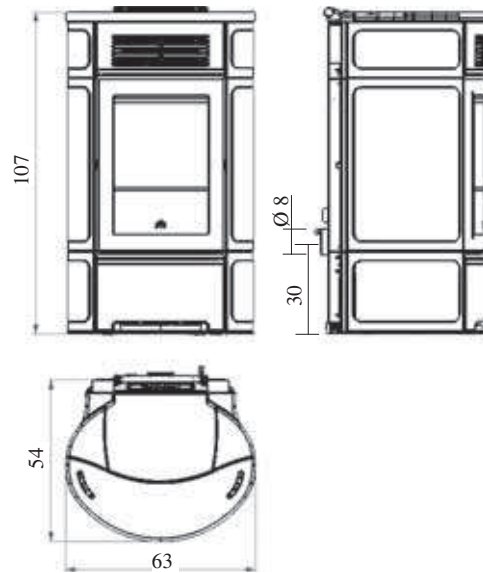
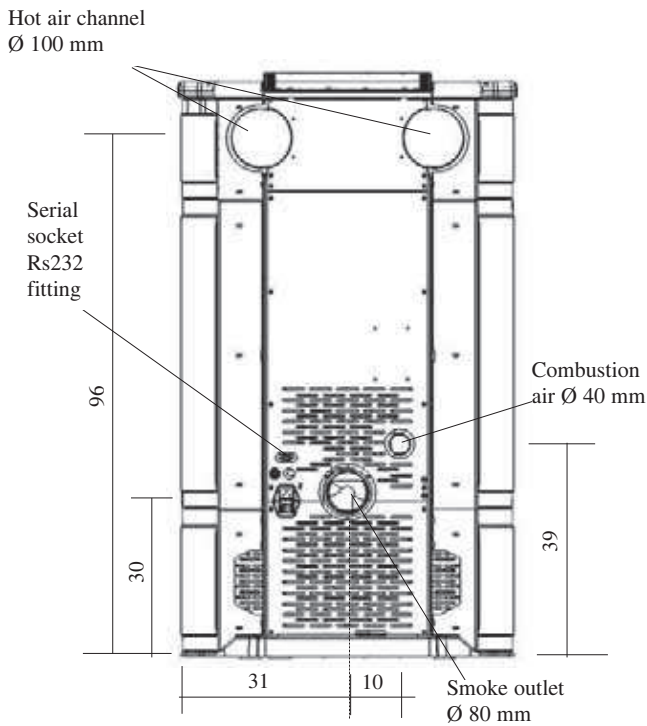


DIMENSIONS

CHERIE - FUNNY - MOON - SPACE



VINTAGE



FEATURES

THERMOTECHNICAL CHARACTERISTICS		
Nominal power	11	kW
Efficiency nominal power	90,06	%
Emissions CO (13% O ₂) nominal power	160	ppm
Smoke mass nominal power	7,25	g/s
Reduced power	5,5	kW
Efficiency reduced power	93,3	%
Emissions CO (13% O ₂) reduced power	440	ppm
Smoke mass reduced power	4,31	g/s
Maximum overheated smoke	179	°C
Minimum draught	12	Pa
Autonomy (min/max)	7,5/27	hours
Fuel consumption (min/max)	0,7/2,8	kg/h
Hopper capacity	19	kg
Heatable volume *	270	m ³
Weight CHERIE including packaging	227	kg
Weight FUNNY including packaging	207	kg
Weight MOON including packaging	243	kg
Weight SPACE including packaging	233	kg
Weight VINTAGE including packaging	226	kg
Smoke outlet pipe diameter (male)	80	mm
Air intake pipe diameter (male)	40	mm

* The heatable room dimensions are calculated on the basis of pellets with an lhv of at least 4300 kcal/kg and home insulation in compliance with Italian law 10/91, and subsequent changes together with an expected heat output of 33 Kcal/m³ per hour.

* It is also important to consider the position of the stove in the room to be heated.

The data shown above is purely indicative. EDILKAMIN s.p.a. reserves the right to make changes to these products to improve their performance with no prior warning.

ELECTRICAL CHARACTERISTICS

Power supply	230Vac +/- 10% 50 Hz	
On/off switch	Yes	
Average power consumption	100	W
Power consumption during ignition	400	W
Remote control frequency	Infrared	
Protection on mains power supply* (see page 36)	2AT, 250 Vac, 5x20 Fuse	
Protection on electronic circuit board	2AT, 250 Vac, 5x20 Fuse	

SAFETY DEVICES

THERMOCOUPLE:

placed at the smoke outlet to detect the temperature. Turns the stove on and off and controls its operation based on defined parameters.

AIR FLOW SENSOR:

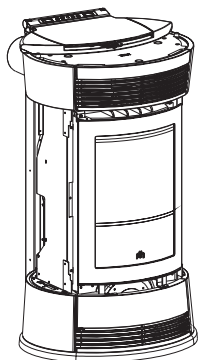
placed in the air inlet channel. This intervenes if an anomaly is detected in the combustion air flow and causes insufficient circulation in the smoke ducts.

SAFETY THERMOSTAT:

trips when the temperature inside the stove is too high. It stops pellet loading, causing the stove to go out.

COVERING INSTALLATION CHERIE

Phase A



For proper assembly of the ceramics series on the stove, proceed as indicated in the sequence (the number in brackets refers to the exploded view of the stove):

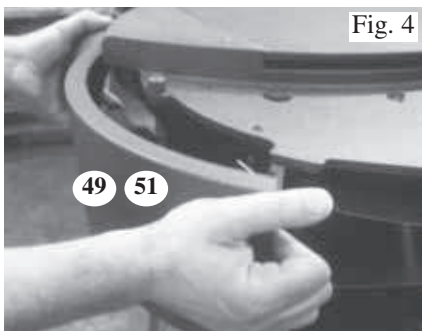
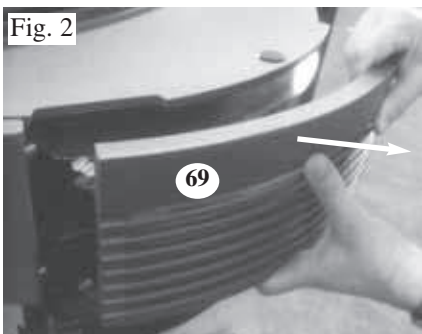
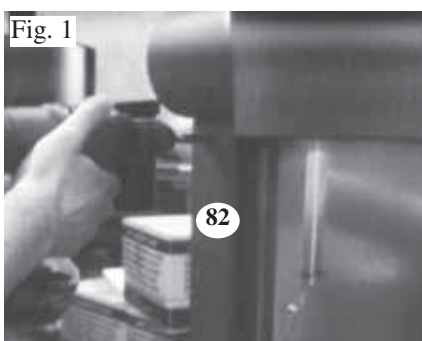
Phase A

This phase presents the stove after being unpacked and positioned in the room.

Phase B

- 1) Unscrew the screws to remove the two rear ceramic fastening profiles (82) (fig. 1)
- 2) Disassemble the upper front cast iron grille (69) assembled fitted into place on the stove (fig. 2).
- 3) Unscrew the screws (fig. 3) to remove the upper side front cast iron panels on the right and left sides (51 - 49) (fig. 4)

Phase B



Phase C

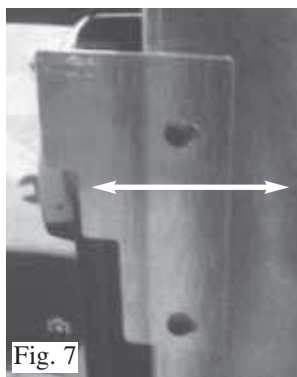
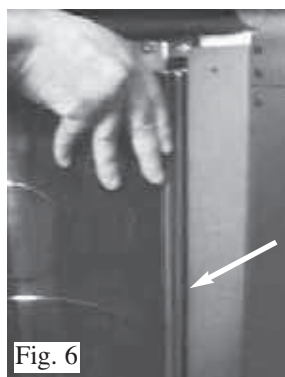
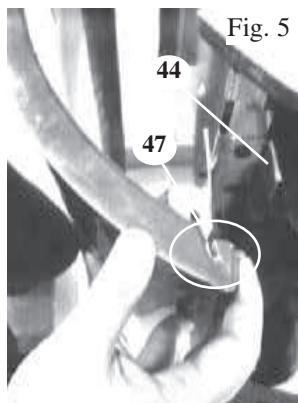
right side ceramic panel assembly (handle side):

- 4) Open the hearth door
- 5) Align the apertures present on the front part of the ceramic panel (47) to the fastening brackets (44) located on the structure (fig. 5).
- 6) Insert the ceramic panel in the brackets
- 7) Rest the rear part of the ceramic panel on the galvanised side of the stove and back on the rear ceramic fastening profile (fig. 6).
- 8) Close the hearth door
- 9) Check that there is enough usable space between the side ceramic panel and the hearth door to permit easy opening with the handle, and if there is no such space, disassemble the ceramic panel and adjust as follows:
 - loosen the upper bracket and lower bracket screws
 - adjust the brackets "just enough"
 - tighten the bracket stop screws (fig. 6)
- 10) Reassemble the ceramic panel according to the sequence from points 4 to 9; once suitable ideal space is reached between the ceramic panel and the hearth door, complete assembly sequence as per point 11.
- 11) Reposition the upper side cast iron front panel (51)
- 12) Reposition the rear fastening ceramic right profile (82)

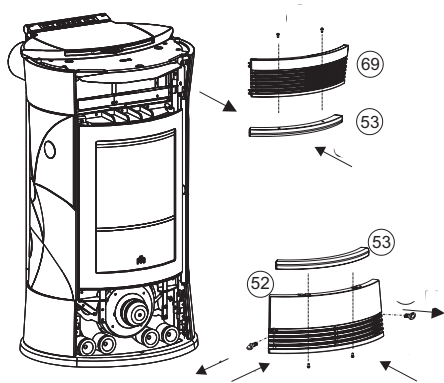
Note: silicone pads have been supplied to be used for any alignments between the ceramic panel and cast iron parts, where 3 pads are to be placed at an equal distance on the base of the lower cast iron front panel.

COVERING INSTALLATION CHERIE

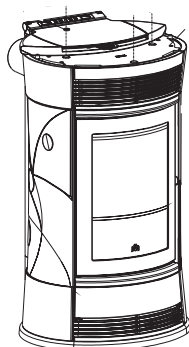
Phase C



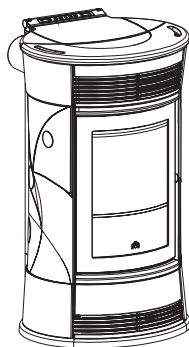
Phase D



Phase E



Phase F



Phase C

left side ceramic panel assembly:

- 13) Keep the hearth door closed
- 14) Align the apertures present on the front part of the ceramic panel (47) to the fastening brackets (44) located on the structure (fig. 5)
- 15) Insert the ceramic panel in the brackets
- 16) Rest the rear part of the ceramic panel on the galvanised side of the stove and back on the rear ceramic fastening profile (fig. 6)
- 17) If necessary, adjust the fastening brackets as per point 9 (fig. 7)
- 18) Reposition the upper side cast iron front panel (49)
- 19) Reposition the rear fastening ceramic right profile (82)

Note: silicone pads have been supplied to be used for any alignments between the ceramic panel and cast iron parts, where 3 pads are to be placed at an equal distance on the base of the lower cast iron front panel

Phase D

ceramic front panel assembly:

- 20) Line up the holes in the upper ceramic front panel (53) with the corresponding holes in the front grille (69).
- 21) In order to fasten the upper ceramic front panel (53) to the upper front grille (69), insert the knurled washer onto the thread of the pin and tighten it **manually** (without the use of any tools).
- 22) Assemble the grille including the ceramic panel to the stove, putting suitable pressure to hook it on to the stop springs
- 23) Unscrew the lower front cast iron grille (52) stop screws with the supplied Allen wrench and remove it from the stove
- 24) Line up the holes in the lower ceramic front panel (53) with the corresponding holes in the front grille (69).
- 25) In order to fasten the lower ceramic front panel (53) to the lower front grille (69), insert the knurled washer onto the thread of the pin and tighten it **manually** (without the use of any tools).
- 26) Assemble the grille including the ceramic panel to the stove and screw in the previously removed grille stop screws.

Phase E

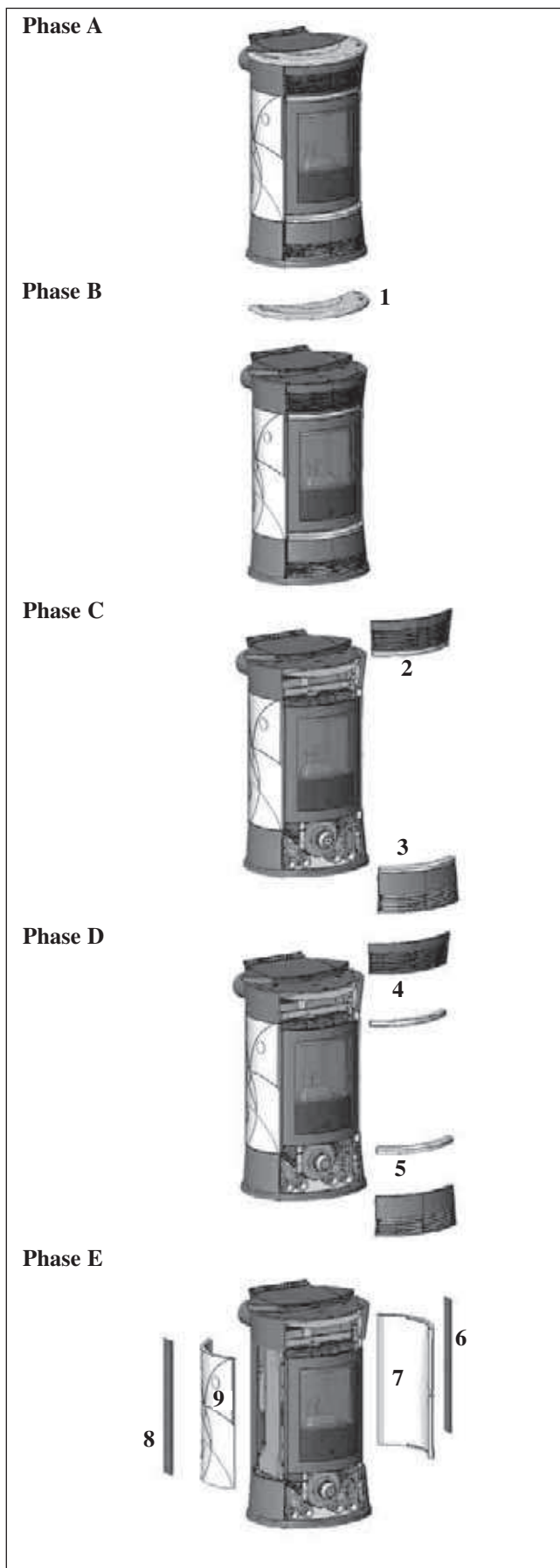
ceramic top assembly:

- 27) Place the ceramic top (79) over the cast iron stove top
- 28) If the ceramic top proves unstable, remove it
- 29) Stability of the ceramic top is to be carried out, where necessary, using the provided washer between the pad and the cast iron top
- 30) Reposition the ceramic top

Phase F

The stove is now ready to be positioned.

CHERIE COVERING DISASSEMBLY



For proper disassembly of the ceramic series proceed as follows:

Phase A

Represents the stove in its finished version

Phase B

Remove the ceramic top (1).

Phase C/D

Disassembling the ceramic front plates:

Disassemble the upper grille (2) applying suitable pressure to unhook it from the locking springs.

Take off the ceramic front panel below (4), by removing the knurled washers.

Using the supplied Allen wrench, unscrew the stop screws of the lower front grille (3) and remove it.

Take off the ceramic front plate below (5) by removing the knurled washers.

Phase E

Disassembly right side ceramic (handle):

Open the door.

Remove the rear profile (6) by unscrewing the fastening screws.

Remove the ceramic (7) disengaging it from the holding brackets.

Close the door.

Disassembly left side ceramic:

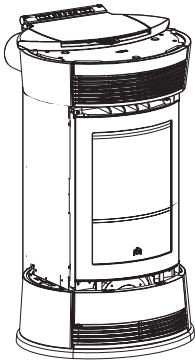
Keep the door closed.

Remove the rear profile (8) by unscrewing the fastening screws.

Remove the ceramic (9) disengaging it from the holding brackets.

COVERING INSTALLATION FUNNY

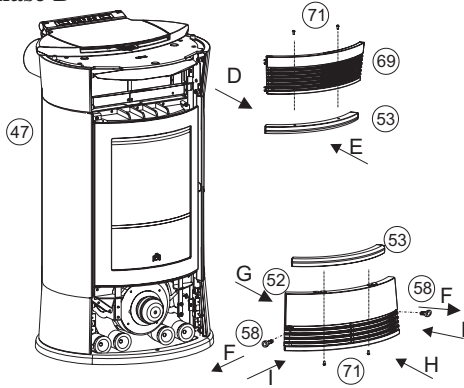
Phase A



Phase A

This phase presents the stove after being unpacked and positioned in the room

Phase B



Phase B

Remove the upper front panel "D" (69) which is fitted into place, then assemble the ceramic front panel "E" (53) to the upper front panel (69) with screws (71) supplied, then reposition.

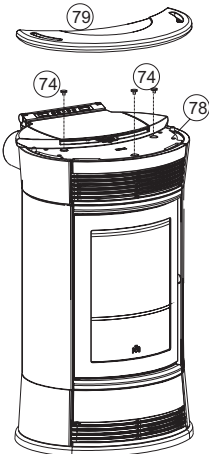
Unscrew the two screws (58) and remove the lower profile "F" (52).

Assemble the ceramic front panel (53) to the lower front panel "H" (52) with screws (71) provided, then reposition in housing and screw in.

Phase C

Position the cast iron top (78), the three pads (74) in their housing, then place the ceramic top (79) over.

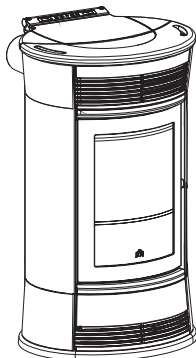
Phase C



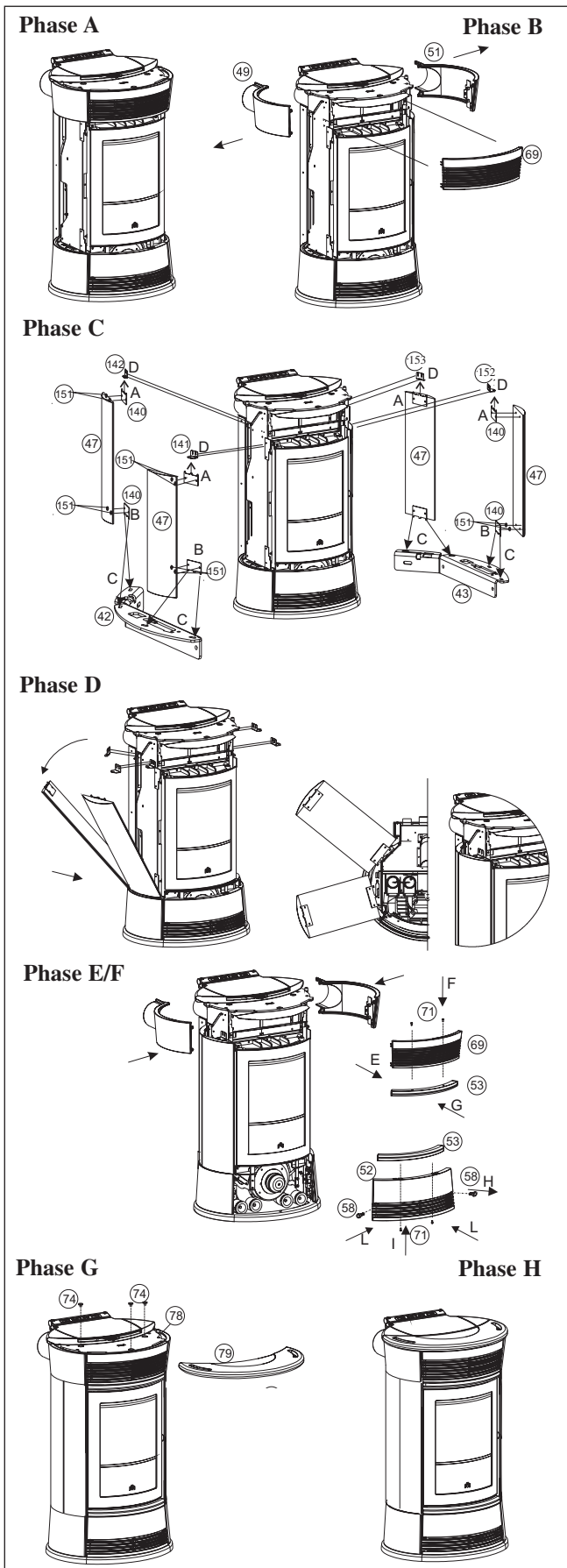
Phase D

The stove is now ready to be positioned.

Phase D



COVERING INSTALLATION MOON/SPACE



Phase A
This phase presents the stove after being unpacked and positioned in the room

Phase B
Remove the front panel (69) to remove the two screws holding the upper right (51) and left (49) cast iron front panels

Phase C/D
Assemble the plates (140) to the stone sides "A-B" (47) with TE M 6x12 screws supplied and point in the 4.2 x 9.5 self-tapping screws without tightening them to the two front and rear locking brackets (141-142-152-153) to the structure.

Now insert the stone side (47), first inserting it in the rear part "C" and then turning it and resting it on the upper part, fitting it in the front bracket "D" (141-152). Now tighten screws, which were previously pointed in, on the front and rear locking brackets (141-142-152-153).

Note:
During the assembly phase of the stone series, check that the stones are aligned with the cast iron top. If they are not, or rather they are within a few mm, a flat washer must be placed between the side stone and the centring bracket (151) to compensate for the indentation of the coating.

Phase E
Assemble the cast iron front panel (53) and bracket (151) to the upper front panel (69) with screws (71) provided, then reposition "G". Unscrew the two screws (58) and remove the lower profile "H" (52). Assemble the cast iron front panel (53) and bracket (151) to the lower front panel (52) with screws (71) provided and then place it in its housing and screw "I".

Phase F
Replace the two upper right (51) and left (49) front panels and screw the front with the previously removed screws.
Position the front grille (69) by pressing

Phase G
Position the cast iron top (78), the three pads (74) in their housing, then place the stone top (79) over.

Phase H
The stove is now ready to be positioned.

COVERING INSTALLATION VINTAGE

Phase A



Phase A

This phase presents the stove after being unpacked and positioned in the room

Phase B



Phase B

Remove, pulling outwards, the upper front grille (1) and the lower front panel (2), assembled in an interlocking manner on the stove.

Phase C

ceramic front panel assembly:

Match up the holes with the threaded bushing of the ceramic front plates, with the corresponding holes on the grille and front panel.

Secure the ceramic front panels by screwing the supplied screws into the threaded bushings; tighten the screws by hand only to prevent the ceramic from breaking.

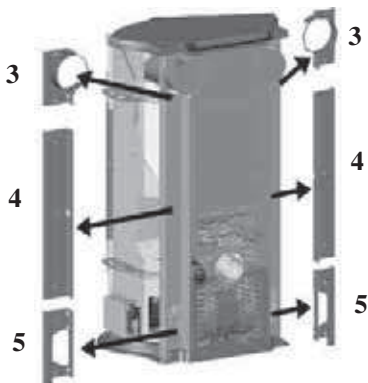
Phase C



Phase D

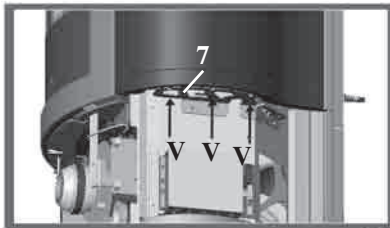
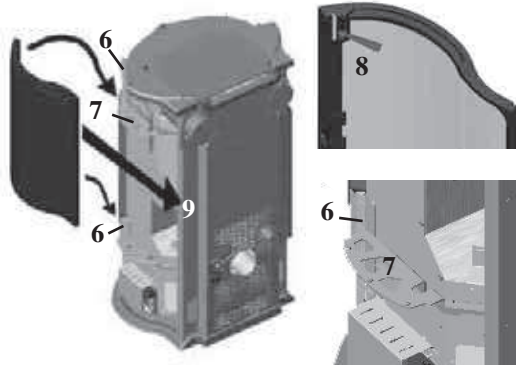
Remove the rear metal profiles (3-4-5) by unscrewing the relative screws.

Phase D



COVERING INSTALLATION VINTAGE

Phase E



Phase E

Installation of the ceramic intermediate side components

Place the ceramic component parallelly along the side, fitting the housings 8 (at the ends of the front edge) into the fastening brackets (6).

Slide the ceramic component towards the rear of the stove until it fits completely on the brackets.

Reassemble the rear intermediate sheet metal profiles (4).

Adjust the position of the ceramic component using the adjustment screws (V); the adjustment screws are located under each lower fastening bracket (7).

Phase F

Assembly of lower and upper ceramic side components

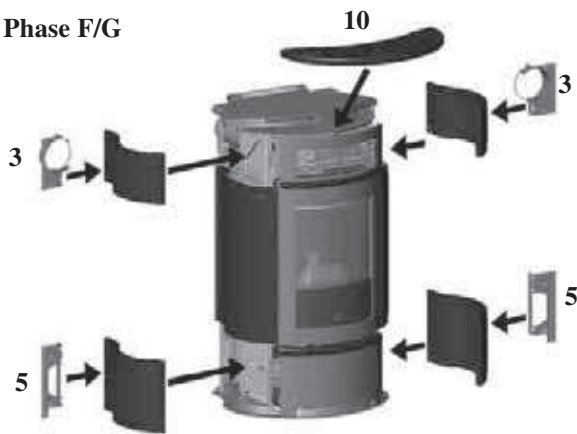
Place the ceramic component parallelly along the side, fitting the housings 8 (at the ends of the front edge) into the fastening brackets (6).

Slide the ceramic components towards the rear of the stove until they fit completely on the brackets.

Reassemble the front intermediate sheet metal profiles (3-5).

Adjust the connections and alignments (only the upper ceramic component) using the adjustment screws (V); the adjustment screws are located on top of each upper fastening bracket (7).

Phase F/G



Phase G

ceramic top assembly:

Place the ceramic top (10) over the cast iron stove top

INSTALLATION

Refer to local regulations in the country of use for anything that is not specifically covered in this manual. In Italy, refer to standard UNI 10683/2005 in addition to any Regional or Local Health Authority regulations.

If the stove is to be installed in a block of apartments, consult the block administration before installing.

VERIFY COMPATIBILITY WITH OTHER DEVICES

The stove must NOT be installed in the same room as extractors, type B heating appliances and other appliances that may affect its operation.

VERIFY THE POWER SUPPLY CONNECTION (the plug must be accessible)

The stove is supplied with a power cable that is to be connected to a 230V 50 Hz socket, preferably fitted with a magnetothermic switch. Voltage variations exceeding 10% can damage the stove (unless already installed, an appropriate differential switch must be fitted). The electrical system must comply with the law; particularly verify the efficiency of the earthing system. The power line must have a suitable cross-section for the stove's power. An inadequate earthing system can cause anomalies for which Edilkamin cannot be held liable.

POSITIONING

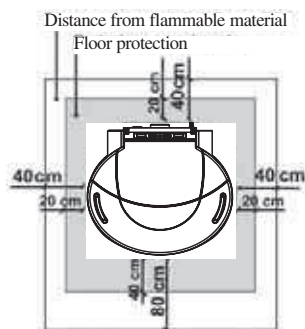
The stove must be level for it to function correctly. Verify the bearing capacity of the floor.

FIRE PREVENTION SAFETY DISTANCES

The stove must be installed in compliance with the following safety conditions:

- medium flammability items must be kept at a minimum distance of 40 cm from the sides and back of the stove
- highly flammable items must be kept at a minimum distance of 80 cm if placed in front of the stove.

If it is not possible to comply with the above mentioned distances, technical and construction-related provisions must be taken to prevent fire hazards. If connected to wooden walls or other flammable materials, the smoke exhaust pipe must be appropriately insulated.



AIR INTAKE

There must be an air inlet behind the stove with a minimum diameter of 80 cm². This must be connected to the outside in order to guarantee sufficient air supply to the stove for combustion. Alternatively, the air for the stove

can be drawn in through a \varnothing 4 cm pipe connecting the opening on the back of the stove itself to the outdoors. In this case, there may be condensation problems and it is necessary to protect the air intake with a grille, which must have a free section of at least 12 cm². The pipe must be less than 1 metre long and have no bends. It must end with a section at 90° facing downwards or be fitted with a wind guard.

SMOKE OUTLET The stove must have its own smoke outlet (the smoke cannot be discharged into a smoke flue used by other devices).

The smoke is discharged through the 8 cm diameter outlet at the back of the stove. The smoke outlet must be connected to outside by means of suitable steel pipes EN 1856 certified. The pipe must be hermetically sealed. The material used to seal and if necessary insulate the pipes, must be resistant to high temperatures (high temperature silicone or mastic).

The only horizontal section allowed may be up to 2 m long. It may have up to two 90° bends.

If the outlet is not fitted into a chimney flue, a vertical section and a wind guard are required (reference UNI 10683/2005). The vertical duct can be internal or external. If the smoke channel is outside, it must be appropriately insulated.

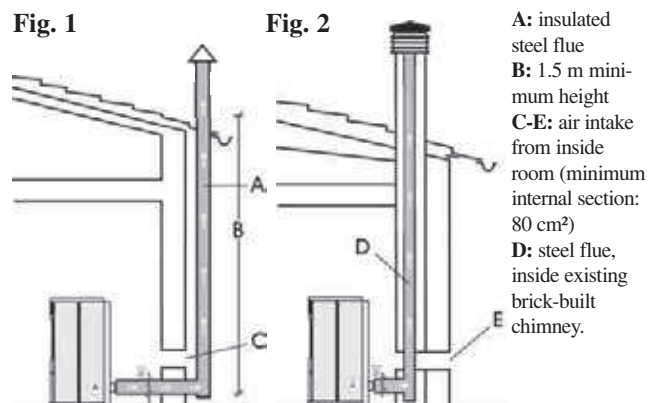
If the smoke channel is fitted inside a chimney flue, the latter must be suitable for solid fuel. If it is wider than 150 mm in diameter it must be improved by entering a pipe that has a suitable cross-section and is made of suitable material (e.g. 80 mm diameter steel).

All sections of the smoke duct must be accessible for inspection.

The chimney pots and smoke ducts connected to the solid fuel appliances must be cleaned once a year (verify whether a specific legislation exists in your country). Failure to regularly inspect and clean the stove increases the probability of a fire occurring in the chimney pot. In that case, proceed as follows: Do not use water to extinguish the fire; Empty the pellet hopper;

Contact specialist personnel before reigniting the stove.

TYPICAL EXAMPLES



CHIMNEY POT

The main characteristics are:

- an internal cross-section at the base, which is the same as that of the chimney flue
- an outlet cross-section which is no smaller than twice that of the chimney flue
- its position must be high enough to catch the wind and avoid downdraft areas in turbulent wind.

INSTALLATION

HOT AIR CIRCULATION

In the installation area, the hot air is emitted through the grill installed in the upper front portion (fig. E).

To channel the hot air in one or two adjoining rooms, the stove is equipped with two pipes on the back (fig.A), to which special aluminium pipes must be connected.

KIT 10 and KIT 10 BIS optional are available to facilitate air distribution (see page 49-50-51).

It is essential to remember the importance of proper insulation on the pipe where the hot air passes to avoid dispersion.

Avoid curves in the pipe as much as possible.

Note: THE PIPES ON THE HOT AIR OUTLETS MUST BE FITTED BEFORE APPLYING THE COVERINGS AND PRIOR TO DISASSEMBLY OF THE UPPER CAST IRON SIDE FLANK. THE FIRST PART OF THE FLEXIBLE PIPE MUST BE COMPLETELY "RELAXED" IN SUCH A WAY TO ELIMINATE CORRUGATION. IN THIS WAY, THE INTERNAL DIAMETER WILL BE SLIGHTLY ENLARGED TO FAVOUR ENTRANCE.

Channelled air distribution is adjustable manually by means of the "L" lever (fig.D).

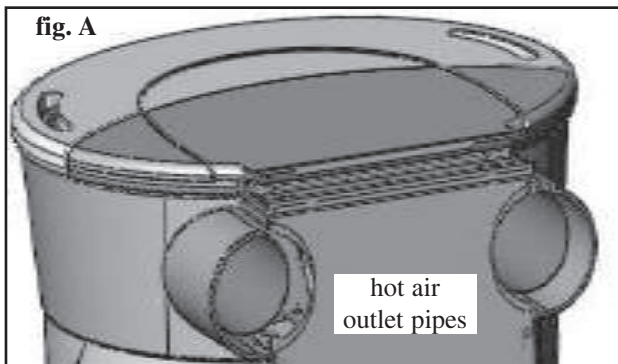
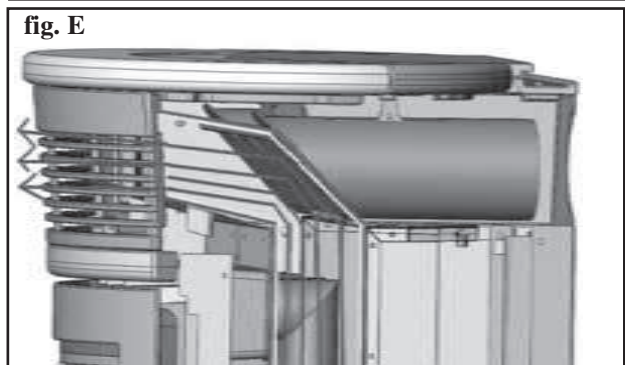
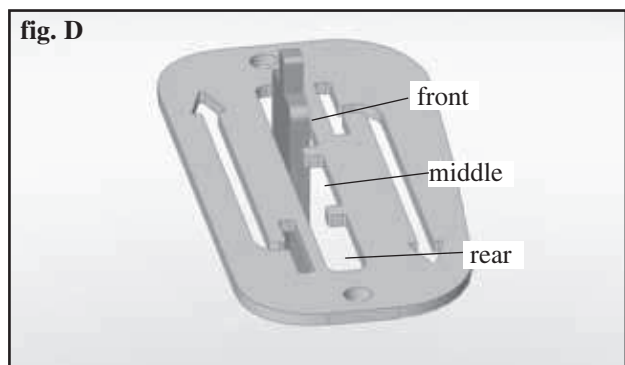
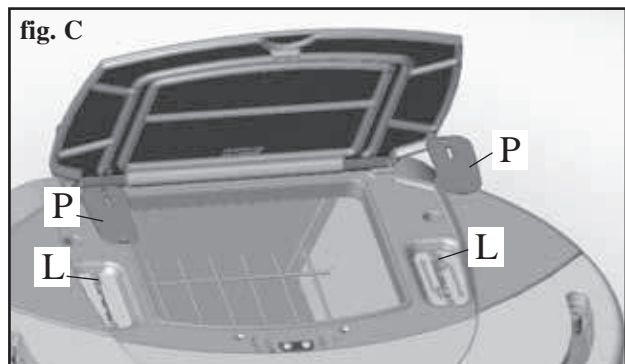
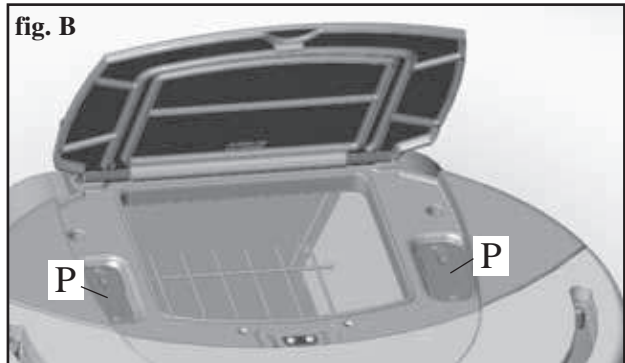
To move, remove the "P" locking plates fastened with screws (fig. B-C).

Once the plates have been removed, hot air can be directed either in the upper front panel part fig. E (lever pulled all the way back - see fig. D) or in the rear part fig. F (lever pulled all the way forward - see fig. D) or half in the upper front panel part and half in the rear part (lever in the middle - see fig. D).

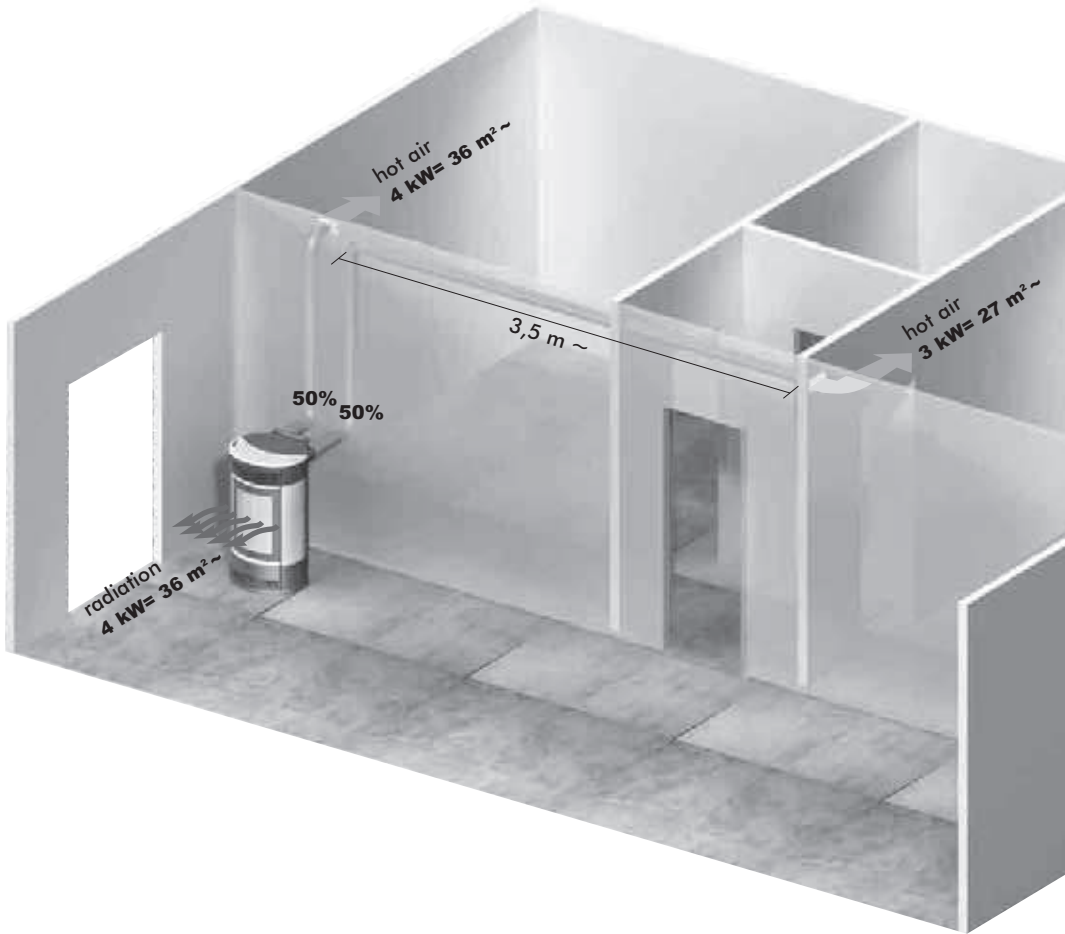
To avoid burns, move the lever with the "cold hand" handle.

Different possible combinations are shown on the next page.

Note: IF THE STOVE IS NOT CHANNELLED, THE PLATES (P) MUST NOT BE REMOVED.

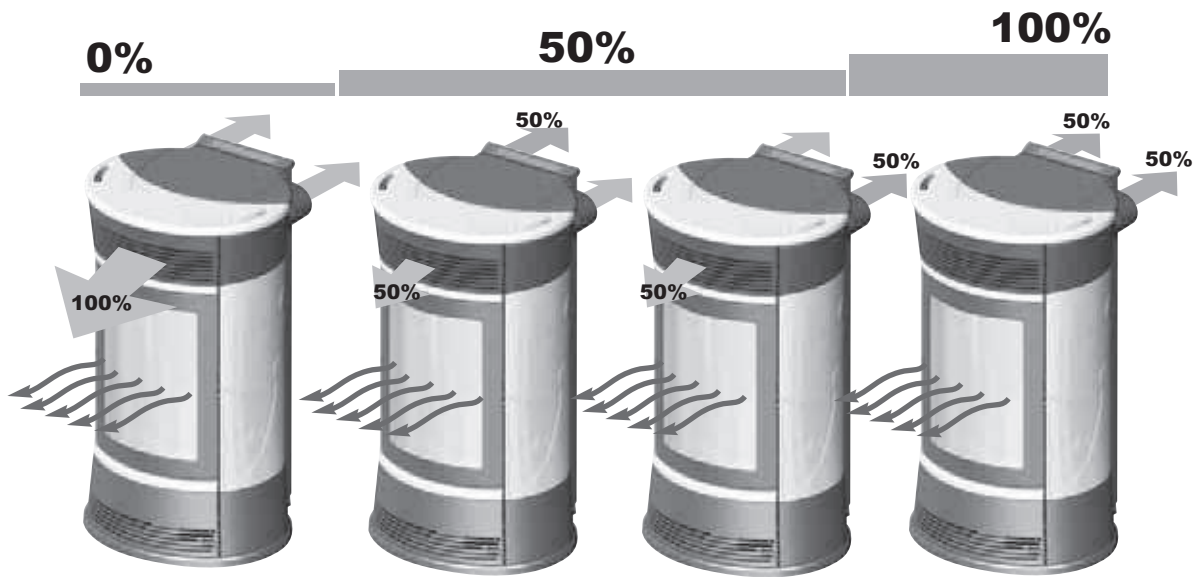


INSTALLATION



Examples of channelling

Hot air channelling in adjacent rooms



Hot air in the room where the stove is installed via a front grille

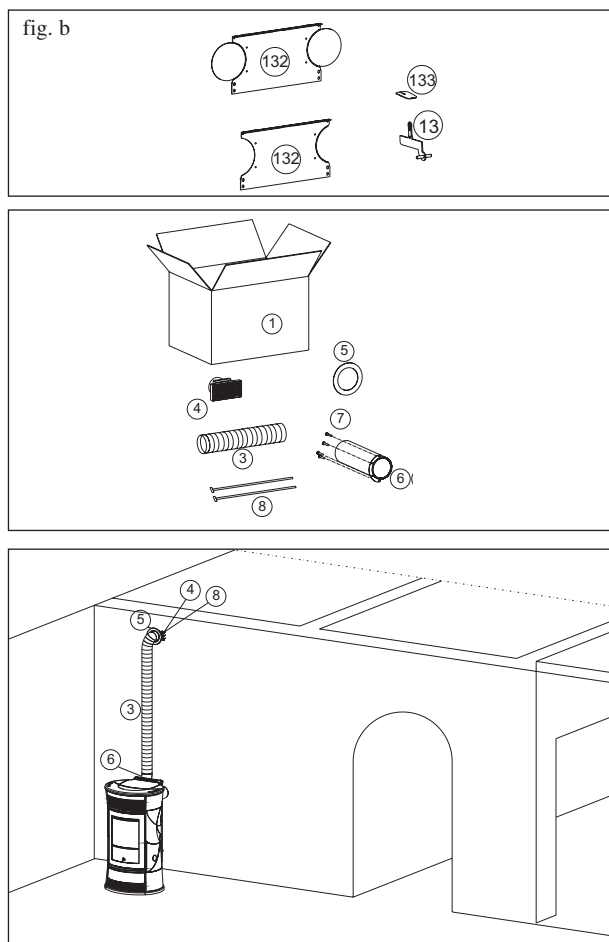
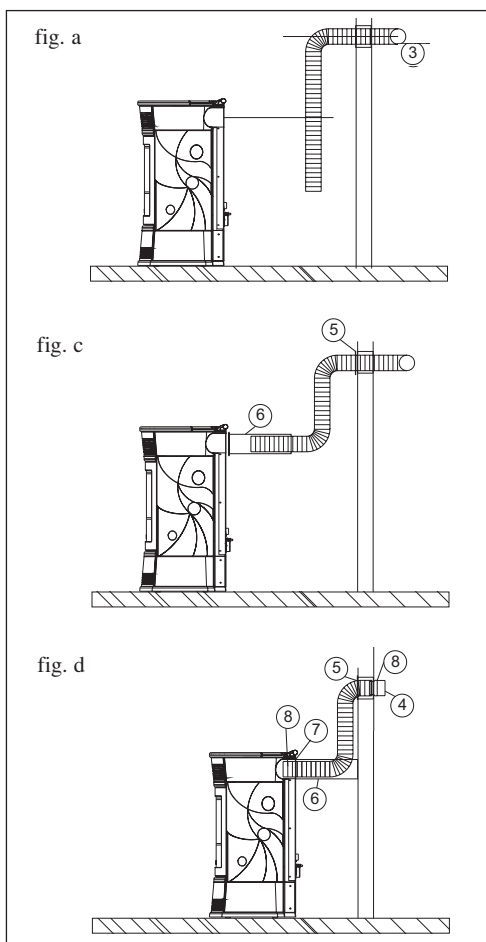


INSTALLATION

1st SOLUTION: KIT 10 (code 643890) - ADJACENT ROOM ONLY

Note: THE PIPES ON THE HOT AIR OUTLETS MUST BE FITTED BEFORE APPLYING THE COVERINGS AND PRIOR TO DISASSEMBLY OF THE UPPER CAST IRON SIDE FLANK. THE FIRST PART OF THE FLEXIBLE PIPE MUST BE COMPLETELY "RELAXED" IN SUCH A WAY TO ELIMINATE CORRUGATION. IN THIS WAY, THE INTERNAL DIAMETER WILL BE SLIGHTLY ENLARGED TO FAVOUR ENTRANCE.

- Define the position of the stove with respect to the walling (fig. a).
- Disassemble the upper part of the back (132) and remove one of the two predrilled caps in correspondence with the hot air outlet pipes (fig. b).
- Activate the hot air channelling control lever (13), removing the locking plate (133) (fig. b).
- Cut the flue cover to size (6) on the wall side (fig.c)
- Place the stove in its definite position.
- Extend the aluminium pipe (3) for hot air channelling, without connecting the stove outlet.
- Fit the medallion (5) on the aluminium pipe and the pipe cover (6) without locking it in (fig. c).
- Fit the aluminium pipe to the hot air outlet on the back of the stove (8) (fig. d).
- Replace the upper part of the back (132).
- Place the pipe cover (6) in the definite position and fasten it to the back of the stove with the supplied screws (7) (fig. d).
- Install the terminal outlet (4) and its aluminium pipe (3) (fig. d).
- Fasten the wall medallion (5) with silicone (fig d).



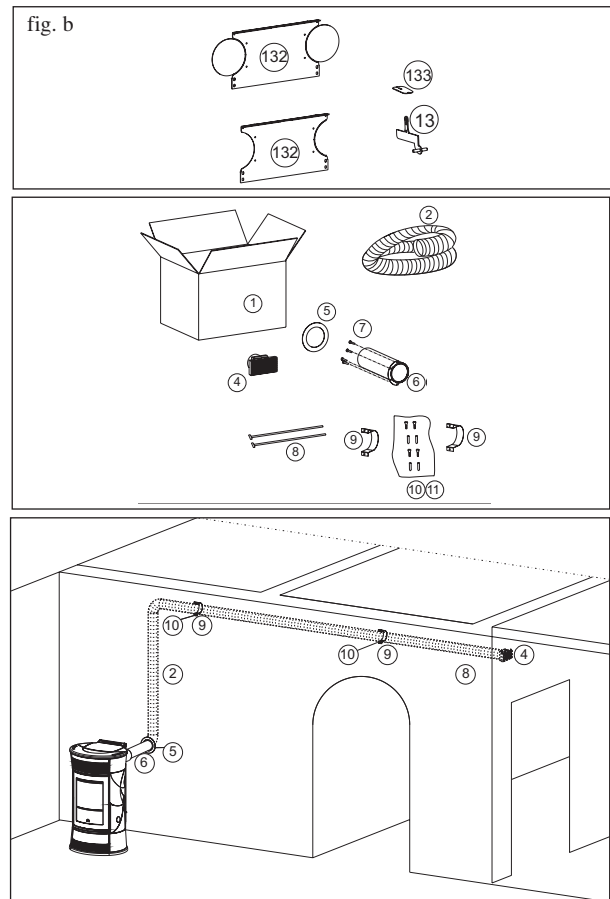
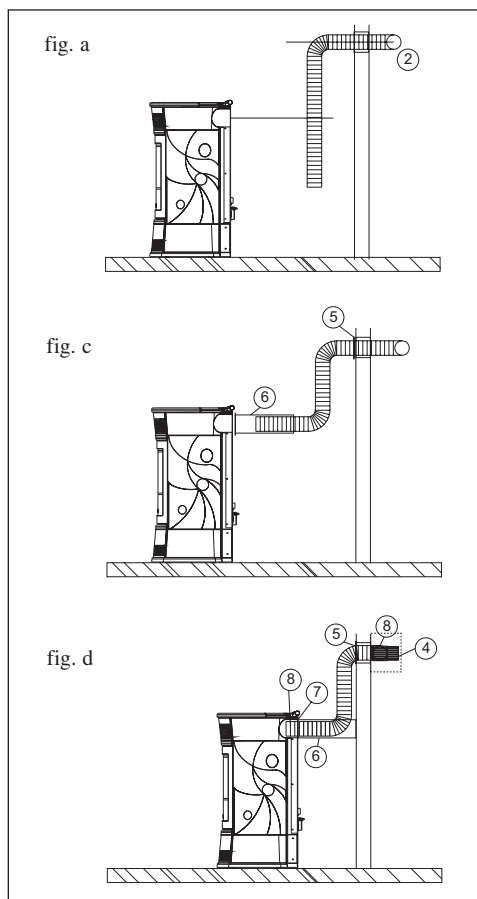
		n°	KIT 10
1	Box	1	645740
3	Ø 10 pipe	1	162520
4	Smoke outlet end-piece	1	293430
5	Wall medallion	1	644190
6	Flue cover	1	644140
7	Flue cover fastening screws	4	168260
8	Pipe blocking clamp	2	46160

INSTALLATION

2nd SOLUTION: KIT 10 BIS (code 645690) - NON-ADJACENT ROOM ONLY

Note: THE PIPES ON THE HOT AIR OUTLETS MUST BE FITTED BEFORE APPLYING THE COVERINGS AND PRIOR TO DISASSEMBLY OF THE UPPER CAST IRON SIDE FLANK. THE FIRST PART OF THE FLEXIBLE PIPE MUST BE COMPLETELY "RELAXED" IN SUCH A WAY TO ELIMINATE CORRUGATION. IN THIS WAY, THE INTERNAL DIAMETER WILL BE SLIGHTLY ENLARGED TO FAVOUR ENTRANCE.

- Define the position of the stove with respect to the walling (fig. a).
- Disassemble the upper part of the back (132) and remove one of the two predrilled caps in correspondence with the hot air outlet pipes (fig. b).
- Activate the hot air channelling control lever (13), removing the locking plate (133) (fig. b).
- Cut the flue cover to size (6) on the wall side (fig.c)
- Place the stove in its definite position.
- Extend the aluminium pipe (2) for hot air channelling, without connecting the stove outlet.
- Fit the medallion (5) on the aluminium pipe and the pipe cover (6) without locking it in (fig. c).
- Fit the aluminium pipe to the hot air outlet on the back of the stove (8) (fig. d).
- Replace the upper part of the back (132).
- Place the pipe cover (6) in the definite position and fasten it to the back of the stove with the supplied screws (7) (fig. d).
- Install the terminal outlet (4) and its aluminium pipe (2) fastening it with the wall collar (9) and the dowels with screws (10-11) (fig. d).
- Fasten the wall medallion (5) with silicone (fig d).



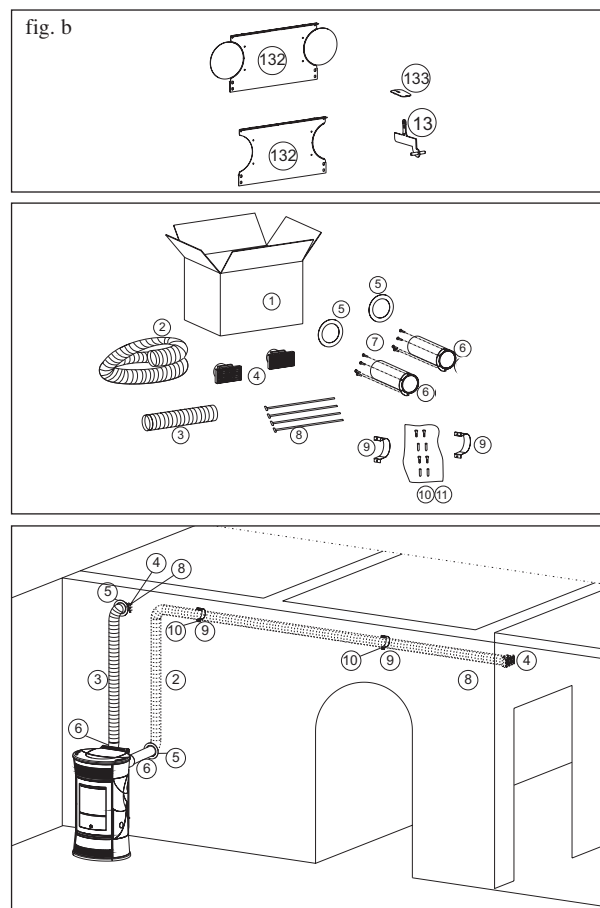
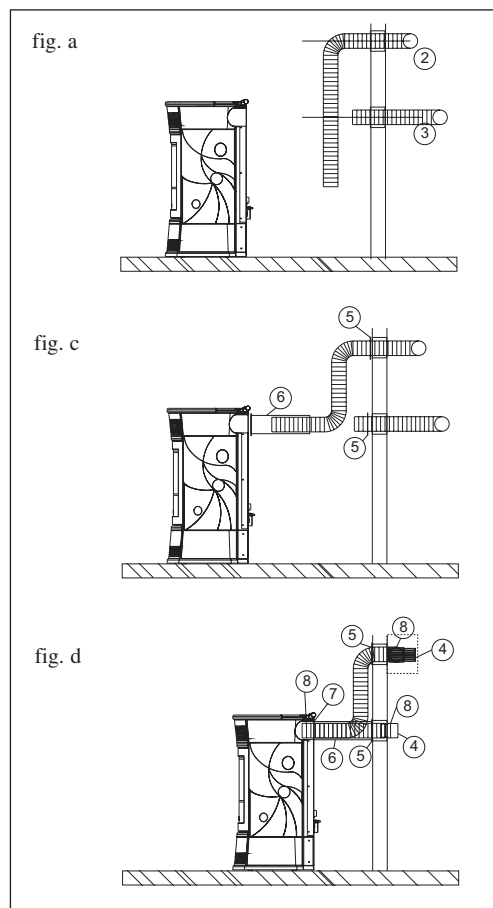
		n°	KIT 10 BIS
1	Box	1	643910
2	Ø 10 pipe	1	643900
4	Smoke outlet end-piece	1	293430
5	Wall medallion	1	644190
6	Flue cover	1	644140
7	Flue cover fastening screws	4	168260
8	Pipe blocking clamp	2	46160
9	Wall collar	2	645750
10	Screws	4	8410
11	Dowels	4	8520

INSTALLATION

3rd SOLUTION: KIT 10 (code 643890) con KIT 10 BIS (code 645690) - BOTH ROOMS

Note: THE PIPES ON THE HOT AIR OUTLETS MUST BE FITTED BEFORE APPLYING THE COVERINGS AND PRIOR TO DISASSEMBLY OF THE UPPER CAST IRON SIDE FLANK. THE FIRST PART OF THE FLEXIBLE PIPE MUST BE COMPLETELY "RELAXED" IN SUCH A WAY TO ELIMINATE CORRUGATION. IN THIS WAY, THE INTERNAL DIAMETER WILL BE SLIGHTLY ENLARGED TO FAVOUR ENTRANCE.

- Define the position of the stove with respect to the walling (fig. a).
- Disassemble the upper part of the back (132) and remove the predrilled caps in correspondence with the hot air outlet pipes (fig. b).
- Activate the hot air channelling control lever (13), removing the locking plates (133) (fig. b).
- Cut the flue cover to size (6) on the wall side (fig.c)
- Place the stove in its definite position.
- Extend the aluminium pipes (2-3) for hot air channelling, without connecting them to the stove outlets.
- Fit the medallions (5) on the aluminium pipes and the pipe covers (6) without locking them in (fig. c).
- Fit the aluminium pipes to the hot air outlets on the back of the stove (8) (fig. d).
- Replace the upper part of the back (132).
- Place the pipe covers (6) in the definite position and fasten them to the back of the stove with the supplied screws (7) (fig. d).
- Install the terminal outlets (4) and relative aluminium pipes (2-3), fastening them with the wall collars (9) and the dowels with screws (10-11)(fig. d).
- Fasten the wall medallions (5) with silicone (fig d).



		n°	KIT 10	KIT 10 BIS
1	Box	1	645740	643910
2	Ø 10 pipe	1	-	643900
3	Ø 10 pipe	1	162520	-
4	Smoke outlet end-piece	2	293430	293430
5	Wall medallion	2	644190	644190
6	Flue cover	2	644140	644140
7	Flue cover fastening screws	8	168260	168260
8	Pipe blocking clamp	4	46160	46160
9	Wall collar	2	-	645750
10	Screws	4	-	8410
11	Dowels	4	-	8520

INSTRUCTIONS FOR USE

MIMIC PANEL



hold down for 2 seconds to turn stove on or off



opens the menu



increases/decreases the various settings



(pellet load/reserve key) pressed once it tells the stove that a 15 kg. sack of pellets has been loaded, enabling the reserve to be monitored (see following page 55)

RH knob: to adjust ventilation (from 1 to 10)

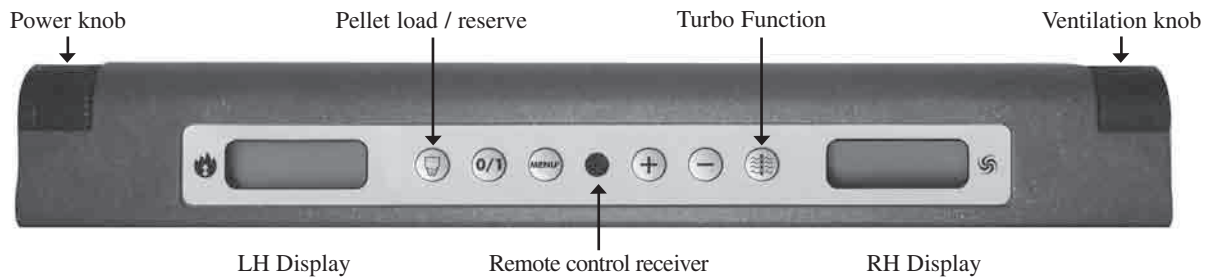
LH knob: to adjust power (from 1 to 5)

The RIGHT DISPLAY shows the level of ventilation and channelling.

The LEFT DISPLAY shows the level of power or temperature and reserve or time and date.



Turbo Function: allows maximum power use of the fan for every operating power set (recommended for channelling)



POSSIBLE VIEWS

STAND-BY



DATE

TIME



RESERVE



VENTILATION

LEVEL

MANUAL



POWER



TURBO

AUTOMATIC



ROOM TEMPERATURE



TURBO

INSTRUCTIONS FOR USE

Before igniting.

You must consult the Edilkamin DEALER in your area when igniting the stove for the first time, in order for the stove to be calibrated according to the type of pellets and installation conditions, thereby validating the warranty.

There may be a slight smell of paint the first few times it is ignited, however, this will disappear quickly.

Before igniting you must check:

- ⇒ that installation is correct
- ⇒ the power supply
- ⇒ that the door closes properly to a perfect seal
- ⇒ that the combustion chamber is clean
- ⇒ that the display is on standby (the date, power or temperature flashes).

Filling the pellet hopper

The hopper lid opens and closes with a practical click-clack system. Simply apply slight pressure to the front part of the cast iron lid*. (fig. 3)

ATTENTION: use the glove supplied when filling the stove whilst it is running and therefore is hot.

Fig. 3

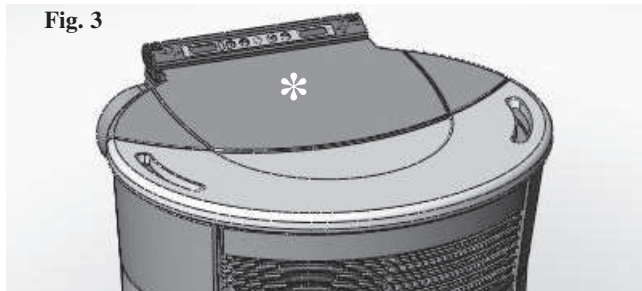
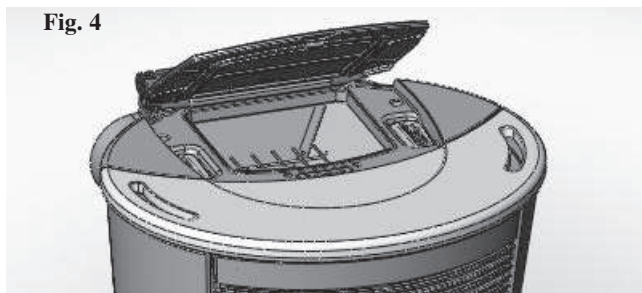


Fig. 4



Loading the feed screw.

Should the pellet hopper empty completely the feed screw must be filled. To do so, keep the + and – keys pressed simultaneously for a few seconds (on the remote control or synoptic panel). Once released, 'REFILL' will appear on the display.

This must be carried out before ignition if the stove has stopped due to the pellets having finished.

It is quite normal for some pellet residue to remain inside the hopper, this is what the feed screw is unable to pick up.

Once a month, fully vacuum the hopper to prevent dusty residue from accumulating.

Automatic ignition

With the stove on standby, press the 0/1 button for 2 seconds (on the synoptic panel or remote control). This will startup the ignition process, 'Start' will appear on the display and a countdown will commence in seconds (1020). There is no preset time for the ignition process: its duration will be automatically shortened if the control board detects that certain tests have been carried out positively. The flame appears after about 5 minutes.

Manual ignition

At a temperature lower than 3 °C – too low for the electrical resistance to become red hot - or if the resistance is temporarily not working, you can use a firelighter to ignite the stove.

Insert a well-lit firelighter into the combustion chamber, close the door and press 0/1 on the synoptic panel or remote control.

Operating modes

Manual: the user sets the desired operating power (from a minimum of 1 to a maximum of 5)

Automatic: the user sets the temperature desired in the room. The stove reads this and adjusts the power to reach the set temperature. Once this is reached, it sets itself to power 1.

NOTE regarding the fuel.

CHERIE - FUNNY - MOON - SPACE - VINTAGE is designed and programmed to burn wood pellets with 6 mm diameter. Pellets are a type of fuel in the form of little cylinders, made from compacted sawdust, compressed under high pressure with no adhesives or foreign materials. They are sold in bags of 15 kg.

For the stove to function properly, you **MUST NOT** burn anything else in it. Using other materials (including wood) will render the warranty null and void. Such use is detected by laboratory analyses.

Edilkamin has designed, tested and programmed their stoves to guarantee the best performance when pellets with the following characteristics are used:

diameter: 6 millimetres - maximum length: 40 mm - maximum moisture content: 8% - calorific value: at least 4300 kcal/kg.

If pellets with different characteristics are used, the stoves must be recalibrated – a similar procedure to that carried out by the DEALER when the stove is ignited the first time.

Using unsuitable pellets may: decrease efficiency; cause malfunctions; stop the stove from functioning due to clogging, dirt on the glass, unburnt fuel, etc.

A simple, visual analysis of the pellets may be carried out:

Good quality: smooth, uniform length, not very dusty.

Poor quality: with longitudinal and transverse cracks, very dusty, various lengths and mixed with foreign matter.

INSTRUCTIONS FOR USE

Manual mode from synoptic panel/remote control (optional)

With the stove in operation mode or on standby, press and release the **MENU** button on the synoptic panel/remote control and 'Power' will appear on the display (showing the power at which the stove is working). Rotate the left knob or press the + key on the remote control to increase the operating power (from Power 1 to Power 5).

Setting the fan via the Synoptic Panel

With the stove in operation mode or on standby, rotate the right knob to adjust the ventilation setting (from 1 to 10 in all powers).

Automatic mode from synoptic panel/remote control (optional)

Press the **MENU** button twice to switch from manual to automatic mode and adjust the temperature desired for the room (use the left knob on the panel or the + and – keys on the remote control to set the temperature between 10 and 29, and the stove will regulate the operating power required to reach it.

If the set temperature is lower than the room temperature, the stove works at Power 1.

Shutdown

For greater comfort, the stove and the air vents go off at the same power at which it was operating.

With the stove in operation mode press the 0/1 key for 2 seconds (on the synoptic panel or remote control). The shutdown procedure will begin and the countdown is displayed. This varies according to the power at which it is running when the shutdown phase begins.

The shutdown phase (which will extinguish the flame without leaving any unburnt material in the combustion chamber and cool the stove), consists of:

- Pellet loading ceases.
- Ventilation is activated at the level at which the stove was operating.
- Smoke expulsion motor enabled.

Never unplug the stove during the shutdown process.

Setting the clock

Press the **MENU** button for 2 seconds and use the + and – keys to follow the instructions given on the display to access the 'Clock' menu.

This allows you to set the time on the electronic control board.

Then press **MENU** and the following data appears in sequence – this can be adjusted:

day, month, year, hour, minutes, day of the week.

When 'Save?' appears on the display you can check that the settings have been entered correctly before confirming. Press **MENU** to save the information ('Save OK' then appears on the display).

Weekly timer

Press the **MENU** button on the remote control for 2 seconds to access the time setting function and press the + key to

access the weekly timer function – 'Program ON/OFF' will appear on the display.

A maximum of three timer programs can be set for each day of the week.

As you confirm via the **MENU** button, one of the following options will appear:

- 'No Prog.' (no program is set).
- 'Daily program' (a single program is set for every day)
- 'Weekly program' (a program is set for each day of the week).

Move from one to the other using the + and – keys.

Use the **MENU** button to confirm the 'Daily program' option and access the selection of the number of programs (ignition/shutdown) to be set per day. Use the 'Daily program' option to set the identical program/s for every day of the week.

The following will be displayed if the + key is pressed:

- No Programs.
- 1st daily program (one ignition and one shutdown per day), 2nd daily program (same as before), 3rd daily program (same as before).

Use the **MENU** button to show them in reverse order.

If the 1st program is selected, the ignition time is shown.

The display shows: 1 Ignition Hour 10.30; use the +/- keys to change the hour and press **MENU** to confirm.

The display shows: 1 Ignition Minutes 10.30; use the +/- keys to change the minutes and press **MENU** to confirm.

In the same way, adjust the shutdown times. The program is confirmed by pressing the **MENU** button when 'Save OK' appears on the display.

When confirming the 'Weekly program' the day to which the program is to apply must be selected:

1 Mon; 2 Tues; 3 Wed; 4 Thurs; 5 Fri; 6 Sat; 7 Sun

Once you have chosen the day by scrolling through them with the + and – keys, confirm by pressing **MENU** and proceed with the settings of the programs in the same way as for the 'Daily program', selecting whether or not to enable a program for each day of the week and choosing the number and times of interventions.

Should you make a mistake whilst setting the programs you can exit without saving by pressing the 0/1 key and 'Saved' will appear on the display.

Note on flame variability

The flame may vary depending on the type of pellets used, in addition to normal variability of the solid fuel flame and regular cleaning of the combustion chamber carried out automatically by the stove.

N.B. The automatic cleaning process performed by the stove does not replace the need for the user to vacuum the stove when cold, prior to ignition).

INSTRUCTIONS FOR USE

Pellet reserve warning

Stoves are equipped with an electronic pellet detection system.

The detection system is integrated into the electronic control board, allowing the stove to monitor how many kilos of pellets are left. This verification is implemented at any point whilst the stove is in operation mode.

For correct system operation, it is important that the following procedure is adhered with during the first ignition (that must be implemented by the DEALER).

Before starting to use the pellet detection system, you must load and consume a full sack of pellets. This allows for a brief running-in of the loading system.

Hence, load 15 kg of pellets.

Then press the 'reserve' button once, thereby storing the data into the memory that 15 kg have been loaded.

From now on the display will show the remaining pellets as they decrease in kg (15...14...13).

Each time pellets are reloaded you must enter the quantity. E.g. when loading 15 kg, simply press the 'pellet load' button to enter this into the memory. For other quantities, or in the event of an error, you can specify the quantity using the pellet reserve menu as follows:.

Press the **MENU** button for 2 seconds to view the **SETTINGS**.

Press + or – consecutively to view **T. Max E**.

Confirm by pressing **MENU** and the remaining quantity of pellets will be displayed + that being loaded (default is 15 and can be changed using the +/- keys).


Should the hopper run out of pellets, the stove will block and 'Stop/Flame' will appear (see page 59).

Note: Every now and again remember to reset the "pellet reserve warning" for it to function in a more reliable manner.

For any clarification please contact the authorised DEALER who performed the first 1st ignition.

INSTRUCTIONS FOR USE

REMOTE CONTROL cod. 633310

-  : ignition / shutdown button (press for approximately 1 second) this button can also be pressed to exit the programming menu
- +** : button to increase the power/operating temperature (when inside a menu, it increases the displayed variable)
- : button to decrease the power/operating temperature (when inside a menu, it decreases the displayed variable)
- A** : button to switch to the “*EASY TIMER*” program
- M** : button to toggle from automatic to manual mode and vice versa

DESCRIPTION OF DISPLAY SYMBOLS OF THE REMOTE CONTROL



Indicates data transmission between the remote control and the control board.



low batteries; replace them and put them in their appropriate containers.



blocked keypad; avoid turning on the remote control for no reason (press "A" and "M" simultaneously for a few seconds to block/unblock the keypad)



Indicates that ignition / shutdown is being via the “*EASY TIMER*” program



Indicates that a setting has been transmitted for the stove to ignite



fan speed indicator



pellet/water thermo stove remote control setting indicator



pellet/water stove remote control setting indicator



automatic function
(the temperature value appears on the display)



manual adjustment function
(the operating power value appears on the display)



Indicates the room temperature detected by the remote control (it indicates the values of the set parameters during its technical set-up).

INSTRUCTIONS FOR USE

TEMPERATURE DETECTED BY THE REMOTE CONTROL

The remote control is equipped with an internal sensor to detect the room temperature and display it in real time. The detected temperature is transmitted periodically to the control board of the insert/stove if the transmission LED of the remote control and the receiving sensor of the synoptic panel of the insert/stove are in each other's field of view. If the temperature of the remote control does not reach the control board of the insert/stove for over 30 minutes, the temperature detected by the sensor connected to the synoptic panel is used.

SELECTING THE OPERATING MODE

The following functions can be scrolled through and set by briefly pressing the "M" button:



temperature adjustment in automatic mode



manual adjustment of the power




manual adjustment of the ventilation


USING THE "EASY TIMER" PROGRAM

The new remote control allows you to manage a new timer program that is very intuitive and easy to use:

- **If the stove is on:** a delayed shutdown can be set from the remote control - from one to twelve hours. The remaining time for the scheduled shutdown is shown on the display of the synoptic panel.
- **If the stove is off:** a delayed ignition can be set from the remote control - from one to twelve hours. The remaining time for the scheduled ignition is shown on the display of the synoptic panel.
- **Setting:** proceed as follows to set the timer:


- a) Press the "A" button and the icon  will light up on the display, thereby confirming the "Easy timer" program has been accessed.
- b) Set the hours by pressing the +/- buttons, for example:



- c) Point the remote control towards the synoptic panel receiver
- d) Confirm the setting by pressing the "A" button for a few seconds; the icon  will go off and the remaining time will appear on the synoptic panel after which the "Easy timer" setting will intervene.
- e) Repeat points a), b), c), d) to cancel the setting, and set the hours to "00H"

BLOCKED KEYPAD

The remote control buttons can be blocked so as to prevent it from going on accidentally.

Press the A and M buttons simultaneously and the key symbol  will light up confirming that the keys have been blocked. Press the A and M buttons simultaneously once again to unblock the keypad.

INSTRUCTIONS FOR USE

LOW BATTERY INDICATOR



When the battery icon lights up it indicates that the batteries inside the remote control are almost flat. Replace them with three new batteries of the same model (size AAA 1.5V).

- Do not use new batteries with used ones.
- Do not mix brands and different types as every type and brand has a different capacity.
- Do not mix traditional batteries with rechargeable ones;
- Do not try recharging alkaline and zinc-carbon batteries as this can cause them to break and/or a liquid leakage.



INFORMATION FOR USERS

In accordance with Art. 13 of the Legislative Decree No. 151, dated 25 July 2005, "Implementation of Directives: 2002/95/EC, 2002/96/EC and 2003/108/EC, pertaining to the reduction of hazardous substances used in electrical and electronic equipment, as well as disposal of waste".

The crossed-out wheeled bin symbol shown on the equipment or on the packaging indicates that the product must be disposed of separately at the end of its useful life.

Therefore, at the end of the equipment's useful life, the user must hand in the equipment to suitable collection facilities for electrical and electronic waste, or return it to the retailer when a new, equivalent appliance is purchased in a ratio of one to one.

TECHNICAL NOTES AND SPECIFICATIONS

RANGE

- The remote control transmits by means of an infrared signal within a range of 4-5 metres. The LED transmission signal must be in line with the receiving LED of the stove/insert for the signal to be transmitted correctly. This must also be in a free-field environment, therefore, free of obstacles.

BATTERY DURATION

- The remote control works with 3 alkaline 1.5V AAA batteries. Their duration depends upon usage, however, the average duration is that of an entire season.

CLEANING

- The remote control must be cleaned with a damp cloth and no detergents or liquids must be sprayed onto it. In any case, use neutral detergents which are free from aggressive substances.

CARING FOR THE DEVICE

- Do not expose the remote control to sources of heat and/or vapour, dust, jets and sprays of water or other liquids.
- Handle the remote control with care. It could easily break if dropped, due to its size.
- The operating temperature is: 0-40 °C
- The storage temperature is: -10 / +50 °C
- Operating humidity is: 20-90% R.H with no condensation
- Degree of protection is: IP 40
- Weight of remote control with batteries: 160 g

POSSIBLE TROUBLESHOOTING

PROBLEM	CAUSE	SOLUTIONS
synoptic panel is off	no mains voltage	check that the power cable is connected; check the fuse (on power socket, page 36)
remote control (optional) not working	too far from stove	move closer to the stove
	remote control battery flat	check the battery and if necessary, replace it
output air is not hot	too much soot in exchanger	clean the hearth exchanger using the specific rods (see page 61)
the flame does not appear (remember that it should appear 5 minutes after pressing the 0/1 key)	the feed screw has not been filled	fill the feed screw (see paragraph regarding ignition, page 53)
does not ignite	accumulation of unburnt residue in the combustion chamber	clean combustion chamber
“Battery check” displayed on the synoptic panel	the backup battery inside the control board is flat	replace the backup battery
the ignition/shutdown phase does not start at the preset time	incorrect settings: current time program activation activation of the daily program	verify in accordance with guidelines

TROUBLESHOOTING ADVICE (for the DEALER)

1) Verific./air flow (intervenes if the flow sensor detects insufficient combustion air flow).

Shuts down due to insufficient circulation in the combustion chamber

Flow may be insufficient if the door is open or does not close properly (e.g. flawed seal), if there is a problem with the air inlet or smoke extraction, if the combustion chamber is blocked or the flow sensor is dirty (clean with dry air).

Check flow sensor limits (within the parameters indicated for the DEALER). The depression alarm may also be signalled during ignition.

2) Verific./extract. (intervenes if the revolution sensor of the smoke extractor detects an anomaly)

Shuts down due to an anomaly in the revolution sensor of the smoke expulsion motor

- check smoke extractor functionality (connection of the revolution sensor)
- check smoke channel for dirt
- check electrical system (earth)

3) Stop/Flame (intervenes if the thermocouple detects a smoke temperature that is lower than that which is set, thereby interpreting it as a failure) **shuts down due to a drop in the smoke temperature**

The flame may not go on for the following reasons:

- lack of pellets
- too many pellets have suffocated the flame
- the maximum thermostat has intervened (this is rare but occurs in an excessive smoke temperature)

POSSIBLE TROUBLESHOOTING

4) Block_FI/NO Start (intervenes if the flame fails to appear within a maximum of 15 minutes, or if the ignition temperature is not reached). **Shuts down due to incorrect smoke temperature during ignition.** Distinguish either of the following cases:

The flame has NOT appeared	The flame has appeared but after Ignition appears on the display, Block_FI/NO Start appears.
Verify: <ul style="list-style-type: none"> • positioning and cleanliness of combustion chamber • functionality of the ignition resistance • room temperature (if lower than 3 °C a firelighter is needed) and moisture content. Try to ignite with a firelighter. 	Verify: <ul style="list-style-type: none"> • thermocouple functionality • set parameters for ignition temperature

5) Failure/Power

Shuts down due to an electricity failure

Check electricity connection and drops in voltage.

6) Fault/RC (intervenes if thermocouple fails or is disconnected)

Shuts down due to a failure or disconnection in the thermocouple

Check connection of thermocouple to the control board: verify functionality in a cold test.

7) Smoke °C/high (shuts down due to excessive smoke temperature)

Shuts down due to maximum smoke temperature being exceeded.

An excessive smoke temperature may occur because of the following: pellet type, anomaly in smoke extraction, blocked channel, incorrect installation, gear motor 'drift' or no air intake in the room.

During ignition, the differential switch trips (DEALER):

- check moisture content of ignition resistance
- **'Battery check'**: indicates that the buffer battery needs changing

Warnings

Warnings are shown until you intervene and press the **0/1** key on the control panel.

Do not ignite the stove until the problem has been checked and resolved.

Should it block, re-ignite the stove after allowing it to shutdown (10 minutes with an audible signal), then press the **0/1** key.

Never unplug the device during the shutdown process.

It is important for the DEALER to know what warning signal appears on the panel.

If problems occur which you are not able to resolve directly, and in the case of any form of complaint, contact the DEALER which carried out commissioning and/or the retailer, indicating the warranty slip number and the purchase receipt reference.

MAINTENANCE

Before performing any maintenance, disconnect the appliance from the mains.

Regular maintenance is required for the stove to function correctly.

FAILURE TO PERFORM REGULAR MAINTENANCE, at least on a **SEASONAL** basis, could lead to poor functionality. Any problems resulting from lack of maintenance will immediately void the warranty.

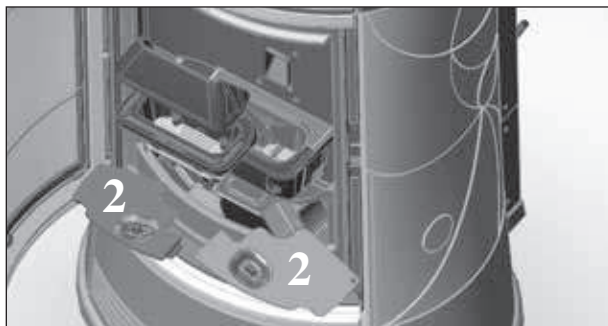
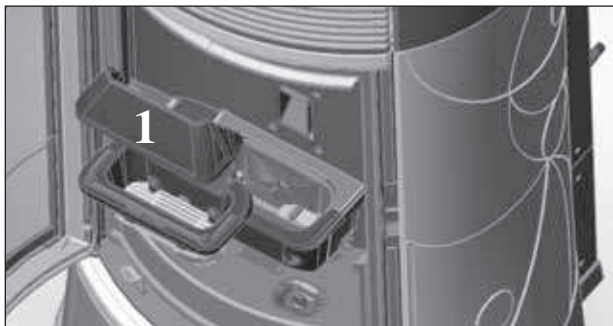
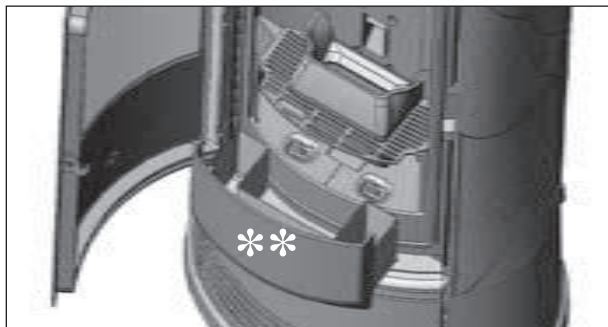
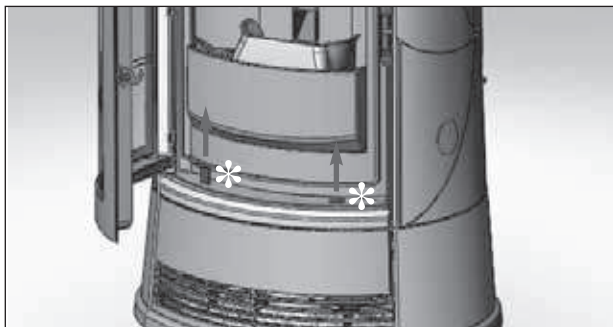
DAILY MAINTENANCE

Operations must be performed when the stove is off, cold and unplugged from the power supply

Cleaning must be carried out with a vacuum cleaner. (see optional extras page 63).

The whole procedure takes up a few minutes every day.

Shake the cleaning rods often (when cold) – these are found in the front upper part (*).

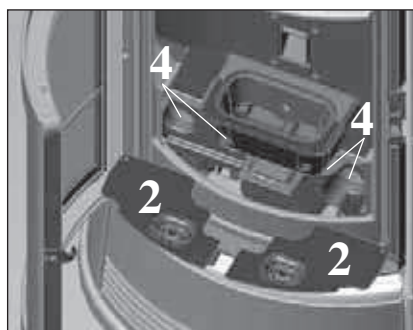


- Open the door and remove and empty the ash pan (**).
- **DO NOT EMPTY THE RESIDUE OUT INTO THE PELLET HOPPER.**
- Remove the combustion chamber or use the spatula to scrape it and clean out any blocked holes on all sides.
- Remove the combustion chamber (1) and scrape with a spatula. Clean any obstructions in the apertures.
- Suction the combustion chamber holder, clean the contact edges and remove the smoke caps (2).
- Clean the glass, if necessary (when cold).

Never vacuum hot ash, it can make the vacuum cleaner breakdown and puts the household rooms at risk of fire

WEEKLY MAINTENANCE

- Clean the hearth (with a brush) after having removed the 2 smoke deviators (3).
- empty the hopper and vacuum the base when the stove has not been used for a period of time and when used, once every 15 days.
- When cleaning the combustion chamber, lift the smoke caps (2) and suction the four pipes underneath (4).



NOTE: After every 800 kg, "Mainten." will appear to remind the user to clean the smoke channels, which is the user's responsibility. This message will disappear by pressing the "TURBO" button for 5 seconds. Upon reaching 2000 kg of pellets, a "Mainten.-dealer" message will appear which will not disappear because the assistance of a DEALER is required. This message can be reset from the parameters menu.

MAINTENANCE

Cleaning the smoke duct

- With the stove off and cold, remove the lower cast iron front panel (1), removing the 2 screws (fig D), move the cleaning rods (2) with force (fig E), the 4 silicone caps * (fig E), then suction residue. The amount of residue will depend on the type of fuel and system. Failure to carry out this cleaning procedure may cause the stove to block.

NOTE: AFTER CLEANING THE LOWER END OF THE PIPES, MAKE SURE THAT THE 4 RUBBER CAPS (*) ARE REPOSITIONED PROPERLY TO PREVENT STOVE MALFUNCTION (THEY MUST SLIDE ALL THE WAY DOWN) (fig. F).

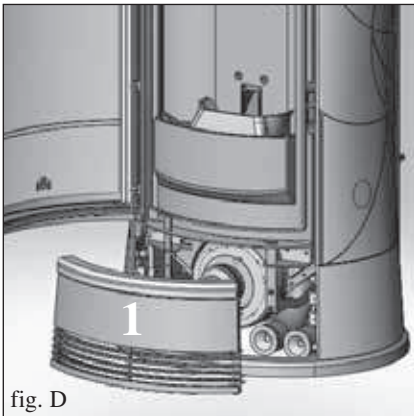


fig. D

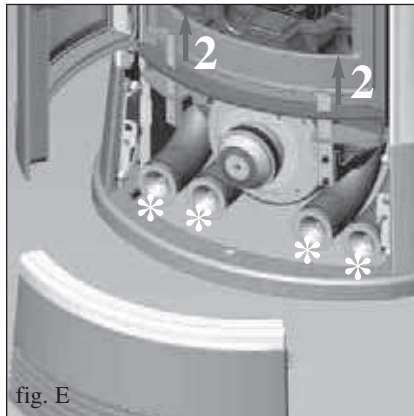


fig. E

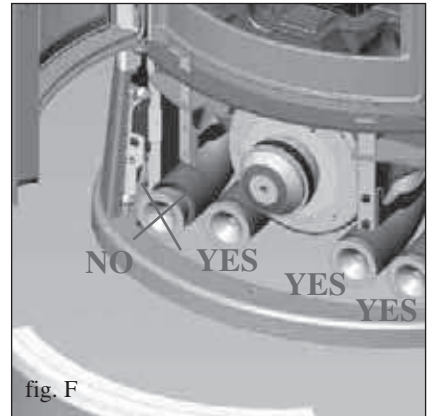


fig. F

SEASONAL MAINTENANCE (implemented by the DEALER)

- Clean the stove internally and externally
- Carefully clean the heat exchange tubes
- Carefully clean and remove dirt from the combustion chamber and the relative compartment
- Clean fans, verify mechanical and clamp loosening
- Clean smoke channel (replace seals on smoke exhaust pipe)
- Clean smoke duct (see weekly cleaning)
- Clean smoke extraction fan compartment, flow sensor and check thermocouple.
- Clean, inspect and scrape any residue from the ignition resistance compartment and if necessary, replace it
- Clean/check the Synoptic Panel
- Visually inspect the electrical wires, connections and power cable
- Clean the pellet hopper and check loosening of the feed screw - gear motor assembly
- Replace the door seal
- Functionality test: load the feed screw, ignite, let it run for 10 minutes and shutdown

If the stove is used very often, it is recommended to clean the smoke channel every 3 months.

ATTENTION !!!

After implementing a normal cleaning procedure, INCORRECT coupling of the upper (A) and lower (B) combustion chambers can compromise the stove's performance (fig. G).

Therefore, before igniting the stove, ensure that the combustion chambers are correctly coupled as shown in (fig. H).

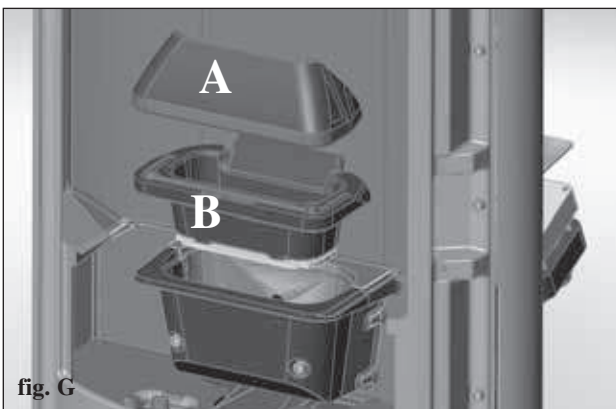


fig. G



fig. H

CHECK LIST

To be integrated with a complete reading of the technical specifications

Positioning and installing

- Commissioned by a qualified DEALER who has issued the warranty and maintenance manual
- Room ventilation
- Only the stove outlet passes through the smoke channel/chimney flue
- The smoke channel has: a maximum of 2 curves, a maximum 2 horizontal metres
- Chimney pot that is high enough to avoid downdraft areas
- The discharge pipes are made of a suitable material (stainless steel is recommended)
- When using any flammable materials (e.g. wood), all precautions have been taken to prevent a fire hazard

Use

- Good quality, dry pellets are used
- The chimney pot and ash compartment are clean and well positioned
- The door is closed properly
- The combustion chamber is inserted properly into the relevant compartment

REMEMBER TO VACUUM THE COMBUSTION CHAMBER BEFORE EACH IGNITION
Should ignition fail, DO NOT re-ignite until you have emptied the combustion chamber.

OPTIONAL EXTRAS

TELEPHONE COMBINER FOR REMOTE IGNITION (code 281900)

The stove can be ignited remotely by asking the DEALER to connect the telephone combiner to the serial port behind the stove via the optional cable (code 621240).

KIT 10 for channelling hot air into an adjacent room, with max channelling pipe length 1.5 m (code 643890).

KIT 10 BIS for channelling hot air into a non-adjacent room, with max channelling pipe length 5 m (code 645690).

CLEANING ACCESSORIES



GlassKamin
(code 155240)

Used for cleaning the ceramic glass



Ash vacuum cleaner
without motor
(code 275400)

Used for cleaning the hearth